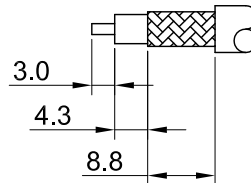
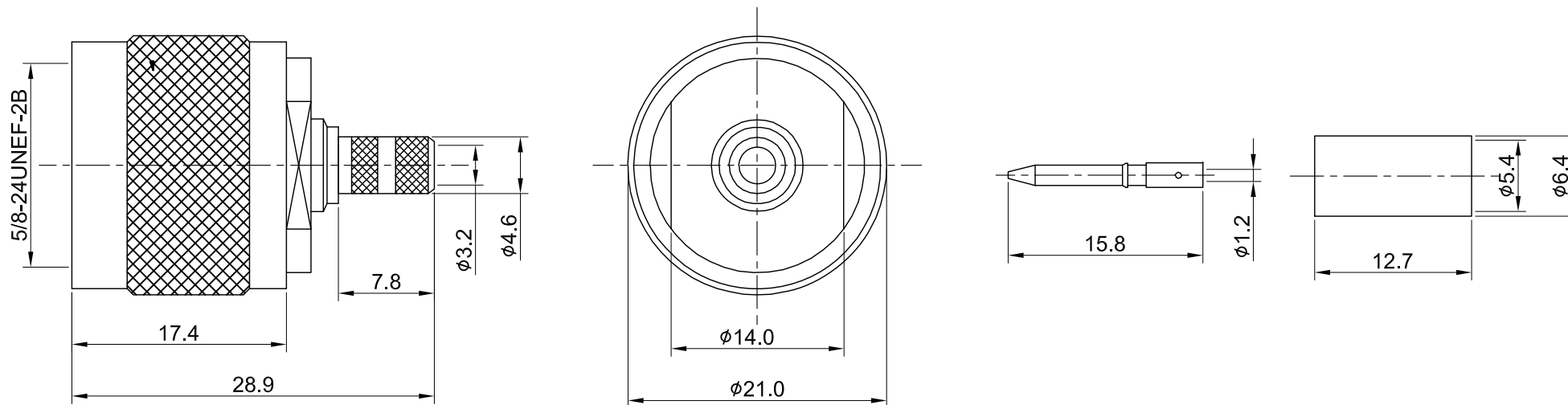


REV	DESCRIPTION	DATE
2.20	NEW DRAWING FRAME	2023/07/13
2.21	CORRECT INSULATION RESISTANCE UNIT	2024/02/07



RECOMMENDED STRIP LENGTHS



MECHANICAL DATA
TEMPERATURE RANGE : -65°C ~ + 165°C

ELECTRICAL DATA
FREQUENCY RANGE: DC~6GHz
IMPEDANCE : 50Ω
VSWR : 1.35 MAX.
WORKING VOLTAGE : AC 1000V
WITHSTANDING VOLTAGE : AC 2500V
INSULATION RESISTANCE : 5000 MΩ MIN

07	FERRULE	BRASS	NICKEL	1
06	CONTACT	BRASS	GOLD	1
05	GASKET	SILICONE RUBBER	NONE	1
04	C-RING	SUS304	NONE	1
03	SHELL	BRASS	NICEKL	1
02	INSULATOR	TEFLON	NONE	1
01	BODY	BRASS	NICKEL	1
NO	DESCRIPTION	MATERIAL	FINISH	Q'TY

TITLE		DRAWN BY: Kelly		2024/02/07	
N(M)st.,crimp for LMR200		CHK'D BY: David		2024/02/07	
DWG NO. C27CA31L20001		GENERAL TOLERANCES		ANGLES N/A	
CUST. P/N: N/A		DWG NO: N/A		DA2402050085	
SHEET 1 of 1		Unit: mm		REV. 2.21	

