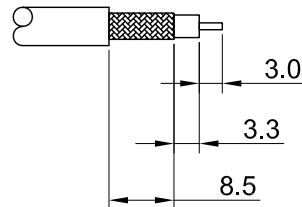
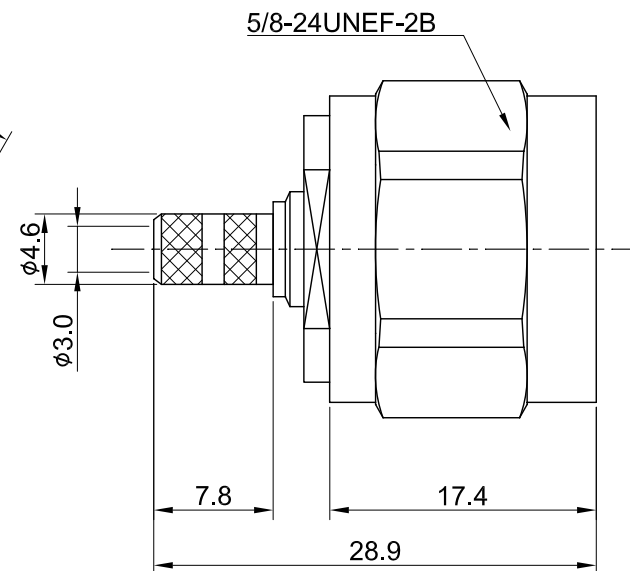
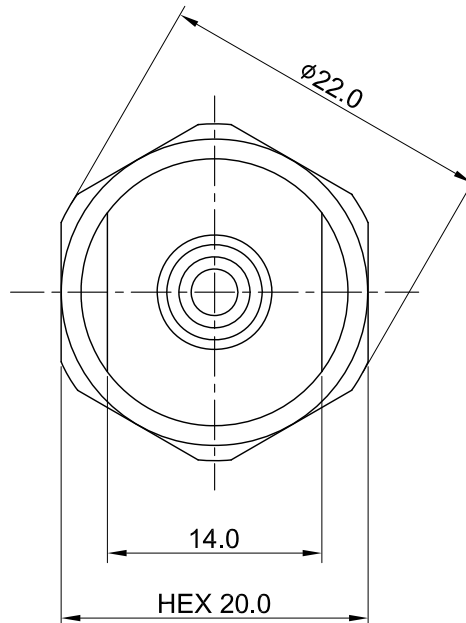
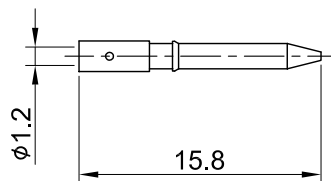
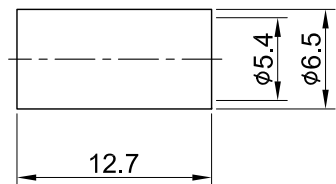


REV	DESCRIPTION	DATE
1.00	INITIAL DESIGN	2017/07/10
1.10	NEW DRAWING FRAME	2024/04/11



RECOMMENDED STRIP LENGTHS



MECHANICAL DATA
TEMPERATURE RANGE : -65°C ~ + 165°C

ELECTRICAL DATA
FREQUENCY RANGE: DC~6GHZ
IMPEDANCE : 50Ω
VSWR : 1.35 MAX.
WORKING VOLTAGE : AC 1000V
WITHSTANDING VOLTAGE : AC 2500V
INSULATION RESISTANCE : 5000 MΩ MIN

06	SLEEVE	BRASS	NICKEL	1
05	PIN	BRASS	GOLD	1
04	GASKET	SILICONE RUBBER	NONE	1
03	C-RING	SUS304	NONE	1
02	INSULATOR	TEFLON	NONE	1
01	BODY	BRASS	GOLD	1
NO	DESCRIPTION	MATERIAL	FINISH	Q'TY

TITLE		N(M) st. crimp type for LMR200, Hex nut	
DWG NO.		C27CA31L20013	
CUST. P/N: N/A		DRAWN BY: Kelly 2024/04/11	
DWG NO: N/A		CHK'D BY: David 2024/04/11	
SHEET 1 of 1		Unit: mm	
GENERAL TOLERANCES .X ±0.2 .XX ±0.2 .XXX ±0.2 ANGLES N/A		DA2402050086 REV. 1.10	

