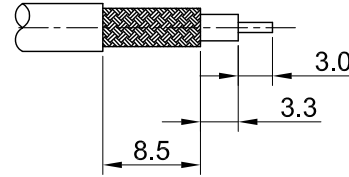
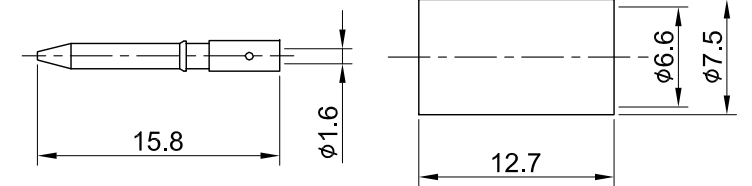
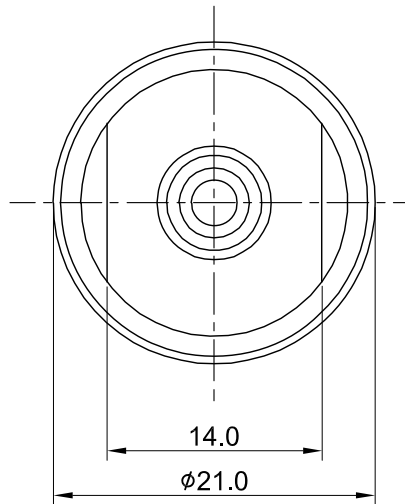
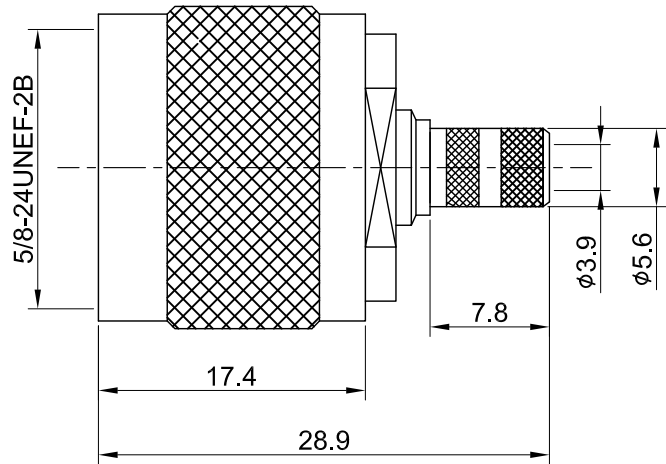


REV	DESCRIPTION	DATE
1.10	CHG 28.9 W. 29.0	2021/12/14
1.20	NEW DRAWING FRAME	2023/11/10



RECOMMENDED STRIP LENGTHS



MECHANICAL DATA
TEMPERATURE RANGE : -65°C ~ + 165°C

ELECTRICAL DATA
FREQUENCY RANGE: DC~6GHz
IMPEDANCE : 50Ω
VSWR : 1.35 MAX.
WORKING VOLTAGE : AC 1000V
WITHSTANDING VOLTAGE : AC 2500V
INSULATION RESISTANCE : 5000 MΩ MIN

07	FERRULE	BRASS	NICKEL	1
06	CONTACT	BRASS	GOLD	1
05	GASKET	SILICON RUBBER	NONE	1
04	C-RING	SUS304	NONE	1
03	SHELL	BRASS	NICKEL	1
02	INSULATOR	TEFLON	NONE	1
01	BODY	BRASS	NICKEL	1
NO	DESCRIPTION	MATERIAL	FINISH	Q'TY

TITLE		DRAWN BY:		DATE
N(M)st. crimp for LMR240		Kelly		2023/11/10
DWG NO. C27CA31L24001		CHK'D BY: Eileen		2023/11/10
CUST. P/N: N/A DWG NO: N/A				REV. 1.20
SHEET 1 of 1	Unit: mm	DA2311100012		



GENERAL TOLERANCES	
.X	±0.2
.XX	±0.2
.XXX	±0.2
ANGLES	N/A