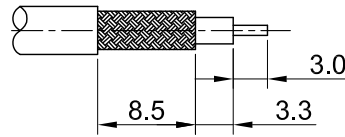
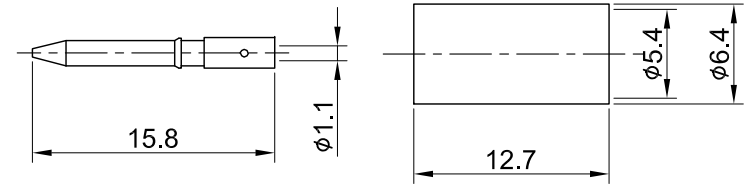
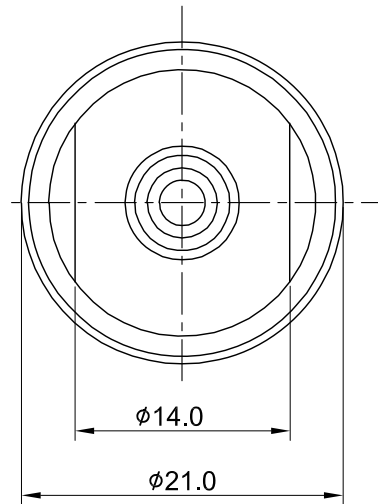
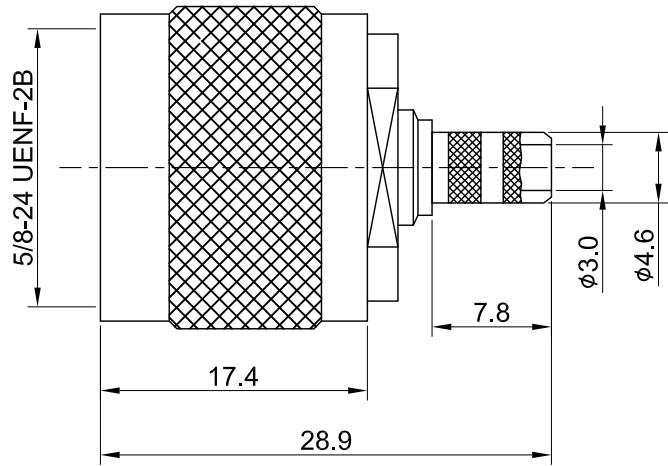


| REV | DESCRIPTION | DATE |
|------|-------------------------------|------------|
| 1.10 | NEW DRAWING FRAME | 2023/07/13 |
| 1.11 | CORRECT INSULATION RESISTANCE | 2024/09/09 |



RECOMMENDED STRIP LENGTHS



MECHANICAL DATA
TEMPERATURE RANGE : -65°C ~ + 165°C

ELECTRICAL DATA
FREQUENCY RANGE: DC~6GHz
IMPEDANCE : 50Ω
VSWR : 1.35 MAX.
WORKING VOLTAGE : AC 1000V
WITHSTANDING VOLTAGE : AC 2500V
INSULATION RESISTANCE : 5000 MΩ MIN

| | | | | |
|----|-------------|-----------------|--------|------|
| 07 | FERRULE | BRASS | NICEKL | 1 |
| 06 | CONTACT | BRASS | GOLD | 1 |
| 05 | GASKET | SILICONE RUBBER | NONE | 1 |
| 04 | C-RING | SUS304 | NONE | 1 |
| 03 | SHELL | BRASS | NICKEL | 1 |
| 02 | INSULATOR | TEFLON | NONE | 1 |
| 01 | BODY | BRASS | NICKEL | 1 |
| NO | DESCRIPTION | MATERIAL | FINISH | Q'TY |

| TITLE | | DRAWN BY: | | DATE |
|-------------------------------|--|--|------------|--------------|
| N(M)st. crimp for RG58 | | Lottie | 2024/09/09 | |
| DWG NO. C27CA31058A01 | | CHK'D BY: | Kelly | 2024/09/09 |
| CUST. P/N: N/A DWG NO: N/A | | | | REV. 1.11 |
| SHEET 1 of 1 Unit: mm | | GENERAL TOLERANCES .X ±0.2 .XX ±0.2 .XXX ±0.2 ANGLES N/A | | DA2402050011 |