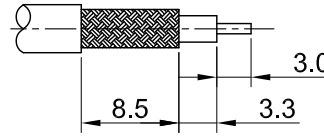
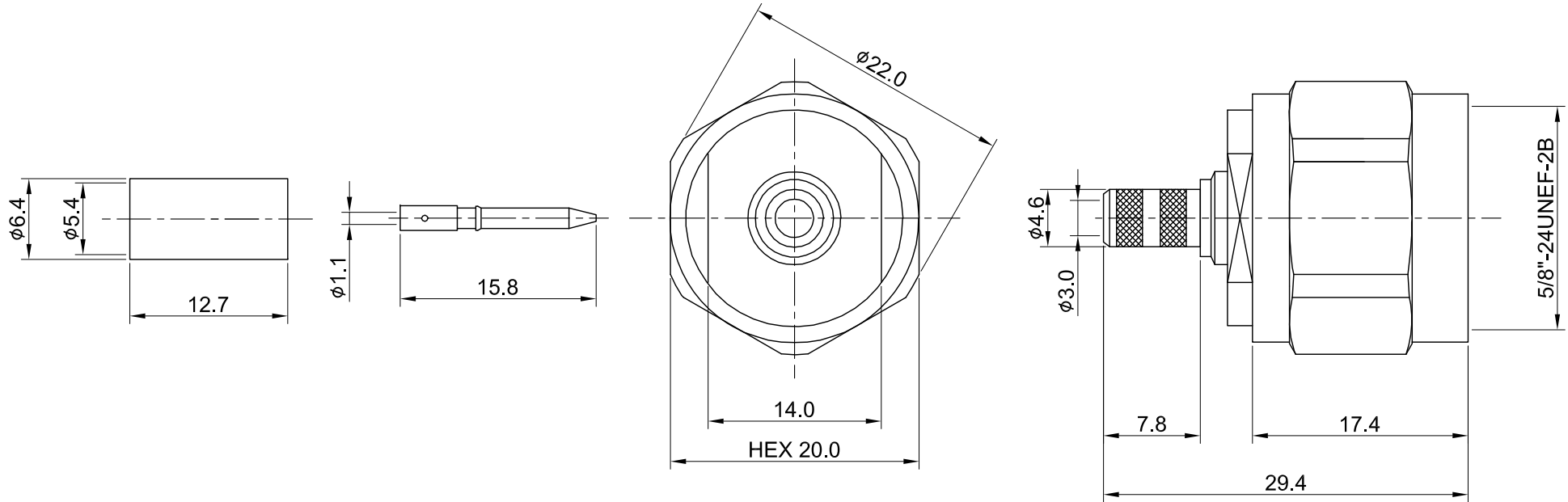


REV	DESCRIPTION	DATE
1.00	INITIAL DESIGN	2015/10/23
1.10	NEW DRAWING FRAME	2023/10/25



RECOMMENDED STRIP LENGTHS



MECHANICAL DATA  
TEMPERATURE RANGE : -65°C ~ + 165°C

ELECTRICAL DATA  
FREQUENCY RANGE: DC~6GHz  
IMPEDANCE : 50Ω  
VSWR : 1.35 MAX.  
WORKING VOLTAGE : AC 1000V  
WITHSTANDING VOLTAGE : AC 2500V  
INSULATION RESISTANCE : 5000 MΩ MIN

03	FERRULE	BRASS	NICKEL	1
02	CONTACT	BRASS	GOLD	1
01	GASKET	SILICON RUBBER	NONE	1
	C-RING	SUS304	NONE	1
	INSULATOR	TEFLON	NONE	1
	BODY	BRASS	NICKEL	1
NO	DESCRIPTION	MATERIAL	FINISH	Q'TY

TITLE		N(M) st. crimp type for RG58, Hex nut	
DWG NO.		C27CA31058A13	
CUST. P/N: N/A		DRAWN BY: Kelly 2023/10/25	
DWG NO: N/A		CHK'D BY: Mindy 2023/10/25	
SHEET 1 of 1		Unit: mm	
Unit: mm		REV. 1.10	

GENERAL TOLERANCES  
.X ±0.2  
.XX ±0.2  
.XXX ±0.2  
ANGLES N/A

DA2310250013