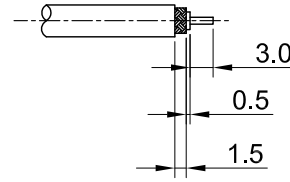
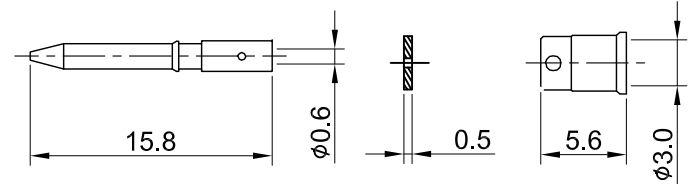
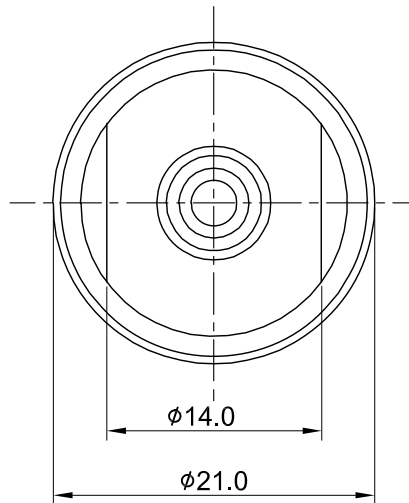
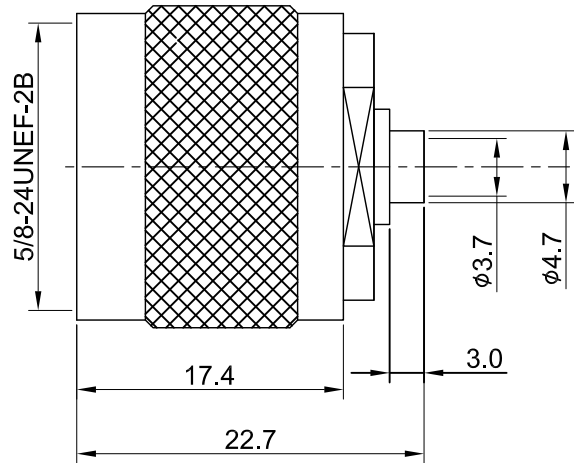


REV	DESCRIPTION	DATE
1.00	INITIAL DESIGN	2014/03/27
1.10	NEW DRAWING FRAME	2024/10/14



RECOMMENDED STRIP LENGTHS



MECHANICAL DATA  
TEMPERATURE RANGE : -65°C ~ + 165°C

ELECTRICAL DATA  
FREQUENCY RANGE: DC~6GHZ  
IMPEDANCE : 50Ω  
VSWR : 1.35 MAX.  
WORKING VOLTAGE : AC 1000V  
WITHSTANDING VOLTAGE : AC 2500V  
INSULATION RESISTANCE : 5000 MΩ MIN

07	INSULATOR B	TEFLON	NONE	1
06	FERRULE	BRASS	NICKEL	1
05	C-RING	STAINLESS STEEL	NONE	1
04	GASKET	SILICONE RUBBER	NONE	1
03	CENTER PIN	BRASS	GOLD	1
02	INSULATOR A	TEFLON	NONE	1
01	BODY	BRASS	NICKEL	1
NO	DESCRIPTION	MATERIAL	FINISH	Q'TY

TITLE		DRAWN BY: Kelly		2024/10/14	
N(M)st. for RD316		CHK'D BY: Eileen		2024/10/14	
DWG NO. C27CA31316D01C		REVISIONS		REV. 1.10	
CUST. P/N: N/A DWG NO: N/A		GENERAL TOLERANCES		DA2410140007	
SHEET 1 of 1		Unit: mm			



.X	±0.2
.XX	±0.2
.XXX	±0.2
ANGLES	N/A