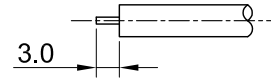
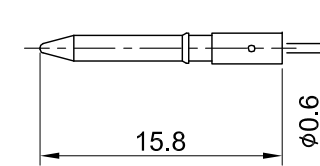
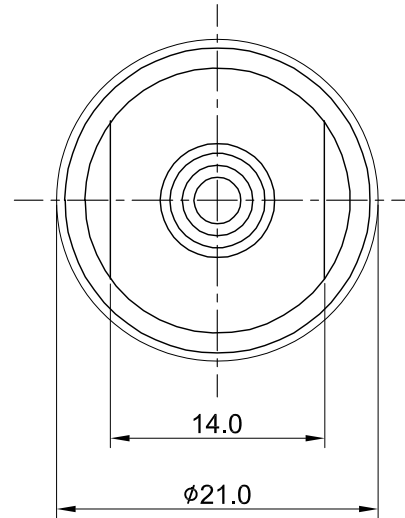
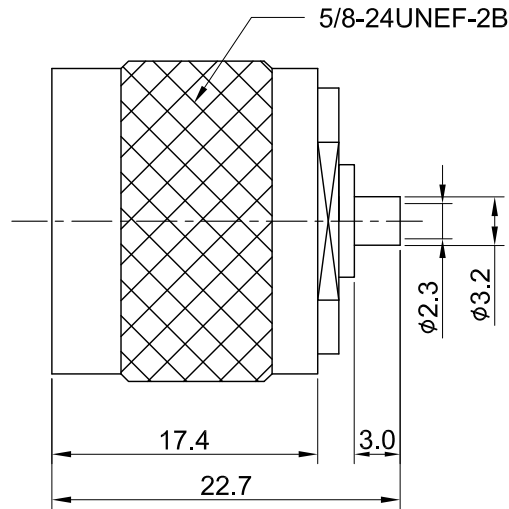


REV	DESCRIPTION	DATE
2.10	CHG L. 22.7 W. 22.0, UPDATE BOM	2017/01/12
2.20	NEW DRAWING FRAME	2024/10/01



RECOMMENDED STRIP LENGTHS



MECHANICAL DATA  
TEMPERATURE RANGE : -65°C ~ + 165°C

ELECTRICAL DATA  
FREQUENCY RANGE: DC~6GHZ  
IMPEDANCE : 50Ω  
VSWR : 1.35 MAX.  
WORKING VOLTAGE : AC 1000V  
WITHSTANDING VOLTAGE : AC 2500V  
INSULATION RESISTANCE : 5000 MΩ MIN

05	C RING	STAINLESS STEEL	NONE	1
04	GASKET	SILICONE RUBBER	NONE	1
03	CENTER PIN	BRASS	GOLD	1
02	INSULATOR	TEFLON	NONE	1
01	BODY	BRASS	NICKEL	1
NO	DESCRIPTION	MATERIAL	FINISH	Q'TY

TITLE		DRAWN BY:		CHK'D BY:		REV.	
N(M)st. solder type for 0.085		Kelly		Eileen		2.20	
DWG NO. C27CA31085001D-1		2024/10/01		2024/10/01		DA2410010008	
CUST. P/N: N/A DWG NO: N/A		GENERAL TOLERANCES .X ±0.2 .XX ±0.2 .XXX ±0.2 ANGLES N/A					
SHEET 1 of 1	Unit: mm						

