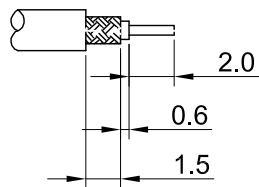
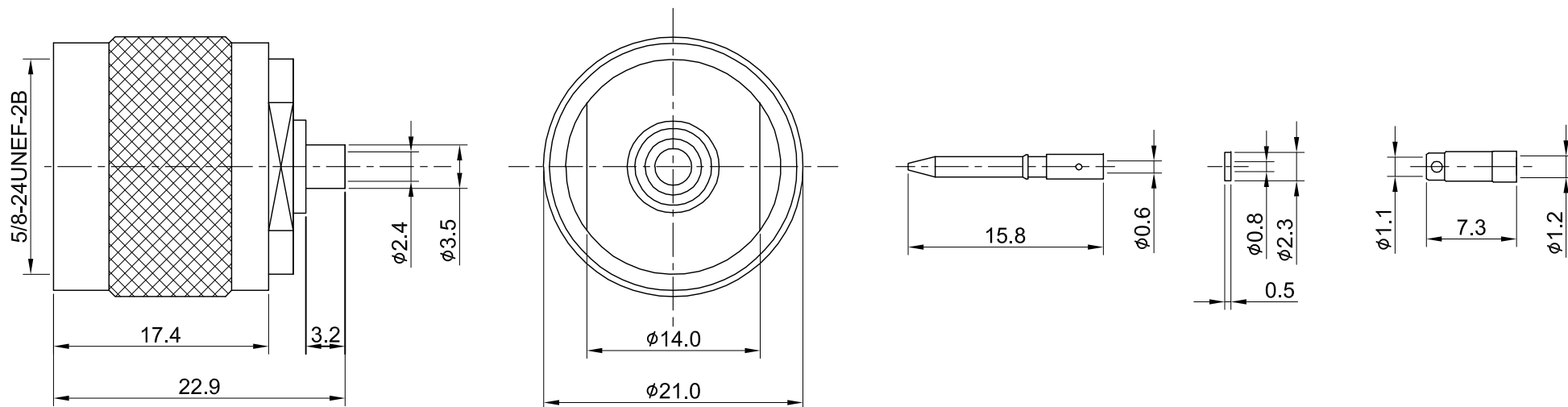


REV	DESCRIPTION	DATE
1.00	INITIAL DESIGN	2022/12/15
1.10	NEW DRAWING FRAME	2024/02/06



RECOMMENDED STRIP LENGTHS



MECHANICAL DATA  
 TEMPERATURE RANGE : -65°C ~ + 165°C

ELECTRICAL DATA  
 FREQUENCY RANGE: DC~10GHz  
 IMPEDANCE : 50Ω  
 VSWR : 1.35 MAX.  
 WORKING VOLTAGE : AC 1000V  
 WITHSTANDING VOLTAGE : AC 2500V  
 INSULATION RESISTANCE : 5000 MΩ MIN

07	SHELL	BRASS	NICKEL	1
06	FERRULE	BRASS	NICKEL	1
05	C-RING	STAINLESS STEEL	NONE	1
04	GASKET	SILICONE RUBBER	NONE	1
03	CENTER PIN	BRASS	GOLD	1
02	INSULATOR	TEFLON	NONE	1
01	BODY	BRASS	NICKEL	1
NO	DESCRIPTION	MATERIAL	FINISH	Q'TY

TITLE		DRAWN BY: Kelly		2024/02/06
N(M) st. for 1.13, 10GHz		CHK'D BY: David		2024/02/06
DWG NO. C27CA31113001C-1		REVISION		REV. 1.10
CUST. P/N: N/A		DA2402050076		
DWG NO: N/A		Unit: mm		
SHEET 1 of 1		GENERAL TOLERANCES		
		.X ±0.2		
		.XX ±0.2		
		.XXX ±0.2		
		ANGLES N/A		

