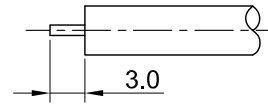
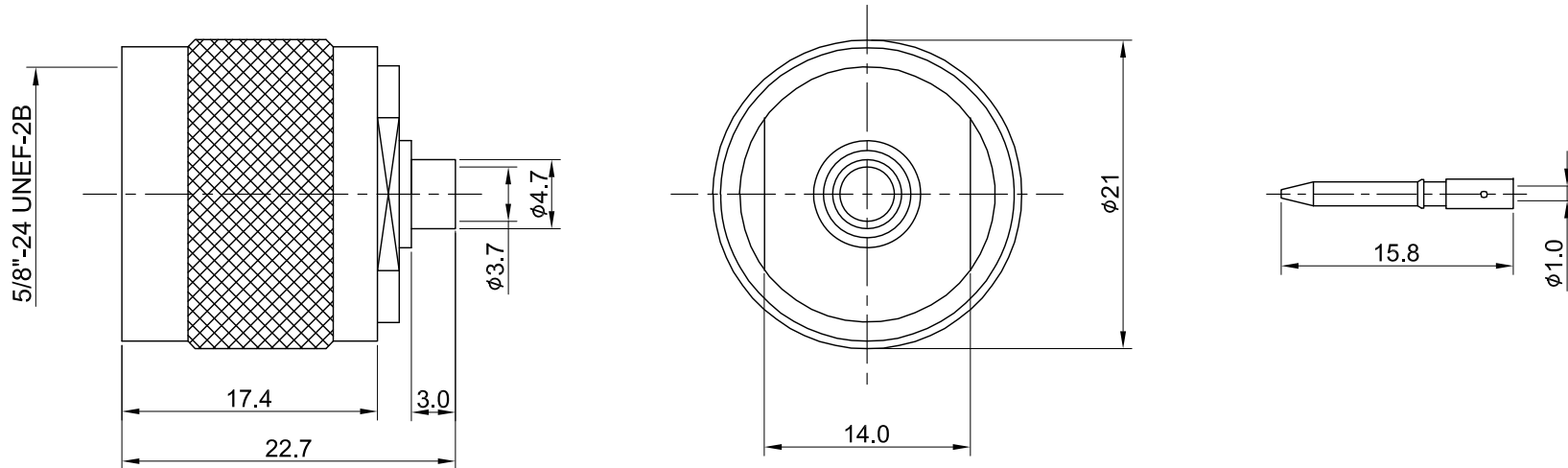


REV	DESCRIPTION	DATE
1.10	NEW DRAWING FRAME	2023/08/07
1.11	CORRECT INSULATION RESISTANCE UNIT	2024/02/06



RECOMMENDED STRIP LENGTHS



MECHANICAL DATA
TEMPERATURE RANGE : -65°C ~ + 165°C

ELECTRICAL DATA
FREQUENCY RANGE: DC~6GHZ
IMPEDANCE : 50Ω
VSWR : 1.35 MAX.
WORKING VOLTAGE : AC 1000V
WITHSTANDING VOLTAGE : AC 2500V
INSULATION RESISTANCE : 5000 MΩ MIN

05	CONTACT	BRASS	GOLD	1
04	GASKET	SILICONE RUBBER	NONE	1
03	C-RING	SUS304	NONE	1
02	INSULATOR	TEFLON	NONE	1
01	BODY	BRASS	NICKEL	1
NO	DESCRIPTION	MATERIAL	FINISH	Q'TY

TITLE		DRAWN BY:		CHK'D BY:		REVISION	
N(M) st. for .141/RG402, 6GHz		Kelly		David		REV.	
DWG NO. C27CA31141001D-1		2024/02/06		2024/02/06		1.11	
CUST. P/N: N/A DWG NO: N/A		DA2402050080		Unit: mm			
SHEET 1 of 1		GENERAL TOLERANCES		ANGLES			
		.X ±0.2 .XX ±0.2 .XXX ±0.2 ANGLES N/A					

