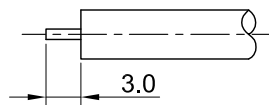
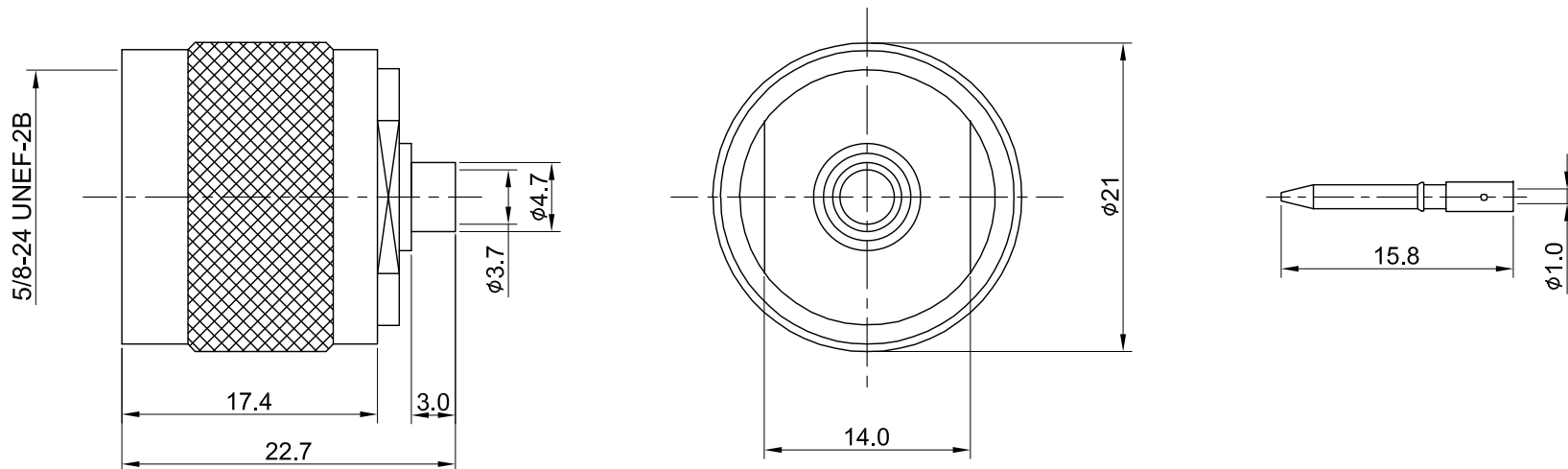


REV	DESCRIPTION	DATE
1.11	CORRECT INSULATION RESISTANCE UNIT	2024/02/06
1.20	CHG P/N C27CA31141001D-1A W. C27CA31141001D-1	2024/09/27



RECOMMENDED
STRIP LENGTHS



MECHANICAL DATA
TEMPERATURE RANGE : -65°C ~ + 165°C

ELECTRICAL DATA
FREQUENCY RANGE: DC~10GHz
IMPEDANCE : 50Ω
VSWR : 1.35 MAX.
WORKING VOLTAGE : AC 1000V
WITHSTANDING VOLTAGE : AC 2500V
INSULATION RESISTANCE : 5000 MΩ MIN

05	CONTACT	BRASS	GOLD	1
04	GASKET	SILICONE RUBBER	NONE	1
03	C-RING	SUS304	NONE	1
02	INSULATOR	TEFLON	NONE	1
01	BODY	BRASS	NICKEL	1
NO	DESCRIPTION	MATERIAL	FINISH	Q'TY

TITLE		DRAWN BY:		CHK'D BY:		REVISION	
N(M) st. for .141, 10GHz		Kelly		Mindy		REV.	
DWG NO. C27CA31141001D-1A		2024/09/27		2024/09/27		1.20	
CUST. P/N: N/A DWG NO: N/A		DA2409260016		Unit: mm		1 of 1	
GENERAL TOLERANCES		ANGLES		N/A		N/A	
.X ±0.2		.XX ±0.2		.XXX ±0.2		ANGLES N/A	



Wellshow