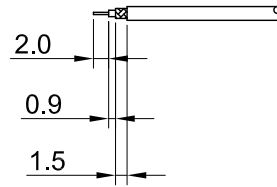
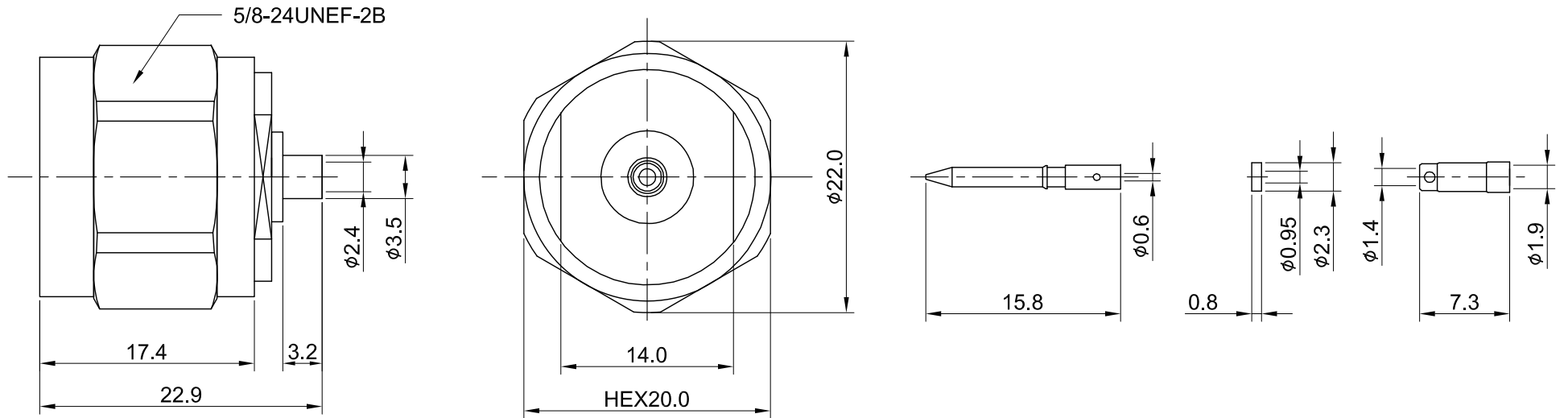


REV	DESCRIPTION	DATE
1.00	INITIAL DESIGN	2016/12/15
1.10	NEW DRAWING FRAME	2024/10/15



RECOMMENDED STRIP LENGTHS



MECHANICAL DATA
TEMPERATURE RANGE : -65°C ~ + 165°C

ELECTRICAL DATA
FREQUENCY RANGE: DC~6GHZ
IMPEDANCE : 50Ω
VSWR : 1.35 MAX.
WORKING VOLTAGE : AC 1000V
WITHSTANDING VOLTAGE : AC 2500V
INSULATION RESISTANCE : 5000 MΩ MIN

07	SLEEVE	BRASS	NICKEL	1
06	INSULATOR B	TEFLON	NONE	1
05	C-RING	STAINLESS STEEL	NONE	1
04	GASKET	SILICONE RUBBER	NONE	1
03	CENTER PIN	BRASS	GOLD	1
02	INSULATOR A	TEFLON	NONE	1
01	BODY	BRASS	NICKEL	1
NO	DESCRIPTION	MATERIAL	FINISH	Q'TY

TITLE		DRAWN BY: Kelly		2024/10/15	
N(M)st. crimp type for RG178 Hex Nut		CHK'D BY: Eileen		2024/10/15	
DWG NO. C27CA31178013A		REV.		1.10	
CUST. P/N: N/A DWG NO: N/A		DA2410140013		1.10	
SHEET 1 of 1		Unit: mm			

GENERAL TOLERANCES
.X ±0.2
.XX ±0.2
.XXX ±0.2
ANGLES N/A