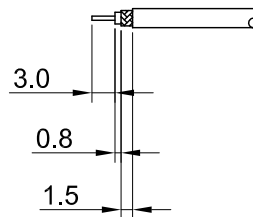
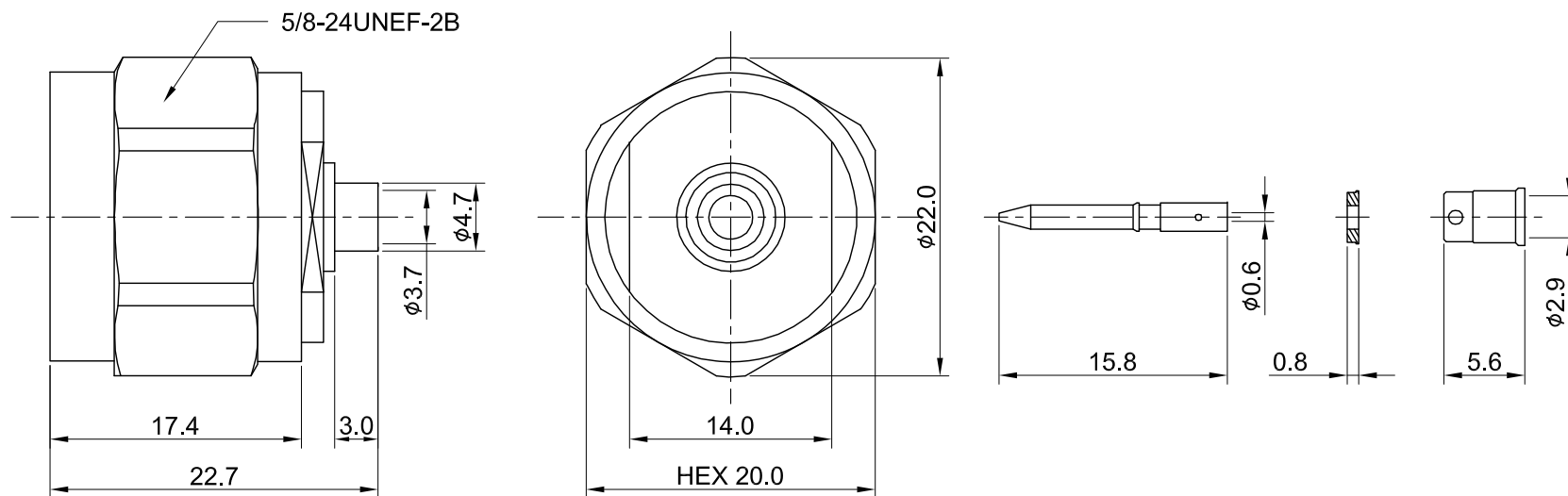


| REV | DESCRIPTION | DATE |
|------|---|------------|
| 1.01 | CHG P/N:C27CA31316013A W. C27CA31174013A, UPDATE TITLE | 2017/04/07 |
| 1.10 | NEW DRAWING FRAME | 2024/04/11 |



RECOMMENDED
STRIP LENGTHS



MECHANICAL DATA
TEMPERATURE RANGE : -65°C ~ + 165°C

ELECTRICAL DATA
FREQUENCY RANGE: DC~6GHz
IMPEDANCE : 50Ω
VSWR : 1.35 MAX.
WORKING VOLTAGE : AC 1000V
WITHSTANDING VOLTAGE : AC 2500V
INSULATION RESISTANCE : 5000 MΩ MIN

| | | | | |
|----|-------------|-----------------|--------|------|
| 07 | C-RING | SUS304 | NONE | 1 |
| 06 | SLEEVE | BRASS | NICKEL | 1 |
| 05 | INSULATOR B | TEFLON | NONE | 1 |
| 04 | GASKET | SILICONE RUBBER | NONE | 1 |
| 03 | CENTER PIN | BRASS | GOLD | 1 |
| 02 | INSULATOR A | TEFLON | NONE | 1 |
| 01 | BODY | BRASS | NICKEL | 1 |
| NO | DESCRIPTION | MATERIAL | FINISH | Q'TY |

| TITLE | | DRAWN BY: | | DATE | |
|----------------------------------|--|--------------|--|------------|--|
| N(M) st. for RG316, Hex nut | | Kelly | | 2024/04/11 | |
| DWG NO. C27CA31316013A | | CHK'D BY: | | David | |
| CUST. P/N: N/A DWG NO: N/A | | REVISION | | REV. | |
| SHEET 1 of 1 | | DA2402050084 | | 1.10 | |

GENERAL TOLERANCES

.X ±0.2

.XX ±0.2

.XXX ±0.2

ANGLES N/A