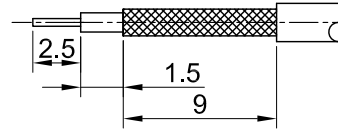
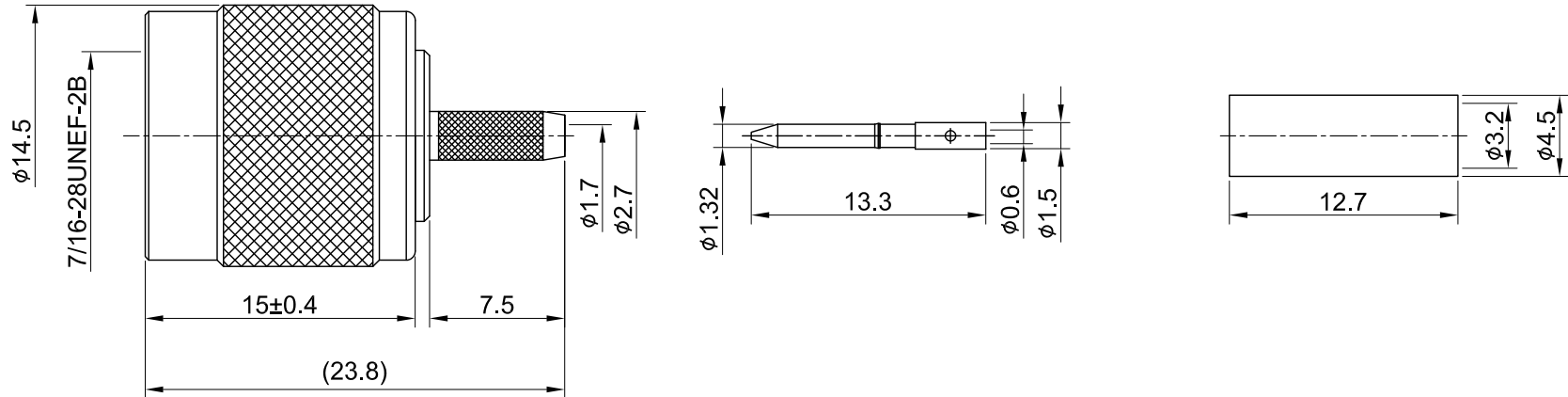


REV	DESCRIPTION	DATE
2.00	UPDATE DRAWING	2023/03/29
2.10	NEW DRAWING FRAME	2024/10/14



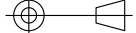
RECOMMENDED STRIP LENGTHS



MECHANICAL DATA
TEMPERATURE RANGE : -65°C ~ + 165°C

ELECTRICAL DATA
FREQUENCY RANGE: DC~6GHZ
IMPEDANCE : 50Ω
VSWR : 1.5 MAX.
WORKING VOLTAGE : AC 500V
WITHSTANDING VOLTAGE : AC 1500V
INSULATION RESISTANCE : 5000 MΩ MIN

08	FERRULE	BRASS	NICKEL	1	TITLE TNC st plug crimp for RD316			
07	WASHER	BRASS	NICKEL	1				
06	INNER RETAINING RING	BRASS	NICKEL	1				
05	SHELL	BRASS	NICKEL	1	DWG NO. C17CA3F316D02B		DRAWN BY: Kelly 2024/10/14	
04	GASKET	SILICONE RUBBER	RED	1	CUST. P/N: N/A DWG NO: N/A		CHK'D BY: Chili 2024/10/14	
03	CENTER PIN	BRASS	GOLD	1				
02	INSULATOR	TEFLON	NONE	1				
01	BODY	BRASS	NICKEL	1	SHEET 1 of 1 Unit: mm		 REV. 2.10	
NO	DESCRIPTION	MATERIAL	FINISH	Q'TY			DA2410140014	

GENERAL TOLERANCES		DRAWN BY: Kelly 2024/10/14	
.X	±0.2	CHK'D BY: Chili 2024/10/14	
.XX	±0.2	 REV. 2.10	
.XXX	±0.2		
ANGLES	N/A	DA2410140014	