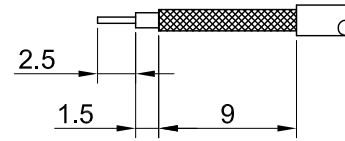
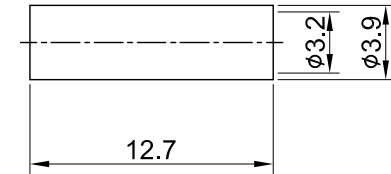
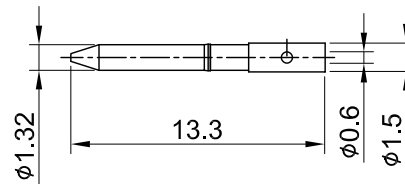
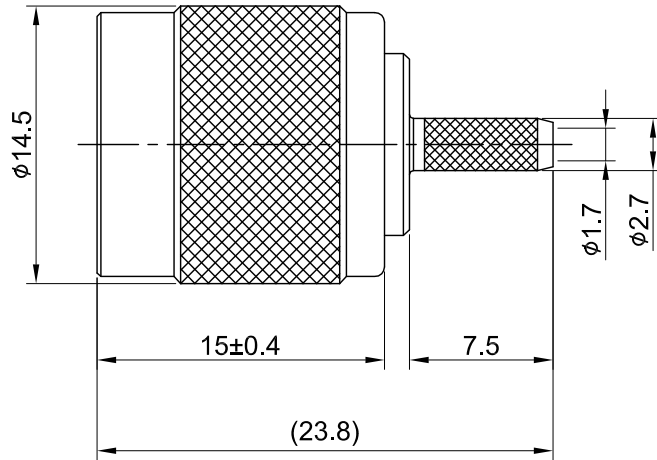


REV	DESCRIPTION	DATE
1.20	NEW DRAWING FRAME	2023/06/13
1.21	CORRECT INSULATION RESISTANCE UNIT	2024/01/04
1.22	CORRECT GASKET MATERIAL	2024/04/02



RECOMMENDED STRIP LENGTHS



MECHANICAL DATA  
TEMPERATURE RANGE : -65°C ~ + 165°C

DIELECTRICAL DATA  
FREQUENCY RANGE: DC~6GHz  
IMPEDANCE : 50Ω  
VSWR : 1.5 MAX.  
WORKING VOLTAGE : AC 500V  
WITHSTANDING VOLTAGE : AC 1500V  
INSULATION RESISTANCE : 5000 MΩ MIN

08	FERRULE	BRASS	NICKEL	1	TITLE TNC st plug crimp for RG316	
07	CENTER CONTACT	BRASS	GOLD	1		
06	BODY	BRASS	NICKEL	1		
05	INSULATOR	TEFLON	NONE	1	DWG NO. C17CA3F174002B	
04	WASHER	BRASS	NICKEL	1	CUST. P/N: N/A DWG NO: N/A	
03	INNER RETAINING RING	BRASS	NICKEL	1		
02	GASKET	SILICONE RUBBER	RED	1		
01	SHELL	BRASS	NICKEL	1	GENERAL TOLERANCES .X ±0.2 .XX ±0.2 .XXX ±0.2 ANGLES N/A	
NO	DESCRIPTION	MATERIAL	FINISH	Q'TY		DRAWN BY: Kelly 2024/04/02 CHK'D BY: Kana 2024/04/02 REV. 1.22
					SHEET 1 of 1	Unit: mm



DA2403150017