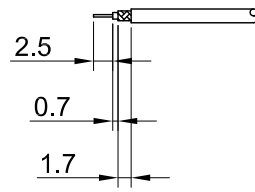
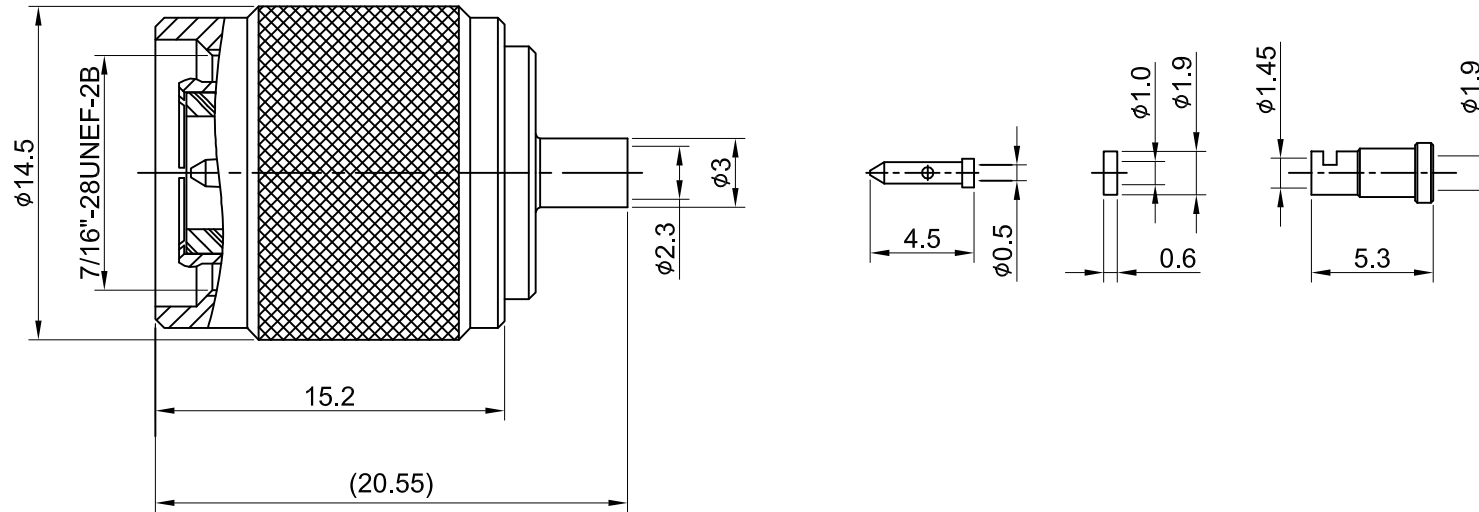


REV	DESCRIPTION	DATE
2.00	UPDATE DRAWINGS	2020/07/07
2.10	NEW DRAWING FRAME	2024/04/09



RECOMMENDED STRIP LENGTHS



MECHANICAL DATA  
TEMPERATURE RANGE : -65°C ~ + 165°C

ELECTRICAL DATA  
FREQUENCY RANGE: DC~6GHZ  
IMPEDANCE : 50Ω  
VSWR : 1.5 MAX.  
WORKING VOLTAGE : AC 500V  
WITHSTANDING VOLTAGE : AC 1500V  
INSULATION RESISTANCE : 5000 MΩ MIN

09	SHELL	BRASS	NICKEL	1
08	INSULATOR GASKET	TEFLON	NONE	1
07	CENTER PIN	P.BRONZE	GOLD	1
06	BULLET CONTACT	BRASS	GOLD	1
05	FERRULE	BRASS	GOLD	1
04	GASKET	SILICONE RUBBER	RED	1
03	INNER RETAINING RING	BRASS	NONE	1
02	INSULATOR	TEFLON	NONE	1
01	BODY	BRASS	NICKEL	1
NO	DESCRIPTION	MATERIAL	FINISH	Q'TY

TITLE		DRAWN BY: Kelly		2024/04/09
TNC(M)st.crimp for RG178		CHK'D BY: Kana		2024/04/09
DWG NO. C17CA3F178002G		GENERAL TOLERANCES		
CUST. P/N: N/A DWG NO: N/A		.X ±0.2 .XX ±0.2 .XXX ±0.2 ANGLES N/A		
SHEET 1 of 1	Unit: mm	DA2403260024		REV. 2.10