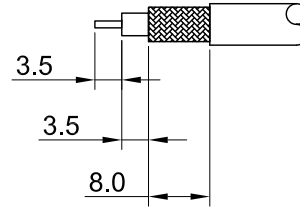
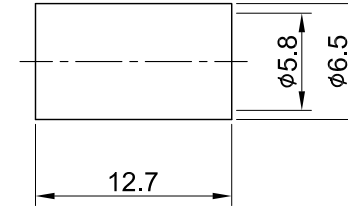
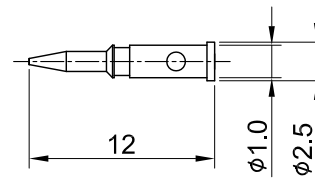
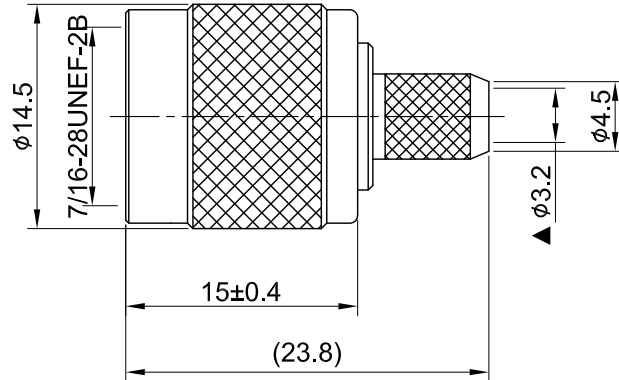


REV	DESCRIPTION	DATE
1.12	CORRECT FULL MATERIAL NAME SILICON RUBBER	2022/07/19
1.20	CHG $\phi 3.2$ W. $\phi 3.1$	2024/03/04



RECOMMENDED
STRIP LENGTHS



MECHANICAL DATA
TEMPERATURE RANGE : -65°C ~ + 165°C

ELECTRICAL DATA
FREQUENCY RANGE: DC~1GHz
IMPEDANCE : 50Ω
VSWR : 1.5 MAX.
WORKING VOLTAGE : AC 500V
WITHSTANDING VOLTAGE : AC 1500V
INSULATION RESISTANCE : 5000 MΩ MIN

08	FERULE	BRASS	NICKEL	1	TITLE TNC(M) st. crimp type for RG223			
07	CENTER PIN	BRASS	GOLD	1				
06	BODY	BRASS	NICKEL	1	DWG NO. C17CA3F223002		GENERAL TOLERANCES .X ±0.2 .XX ±0.2 .XXX ±0.2 ANGLES N/A	
05	INSULATOR	TEFLON	NONE	1				
04	WASHER	BRASS	NICKEL	1	CUST. P/N: N/A DWG NO: N/A		DRAWN BY: Kelly 2024/03/04	
03	INNER RETAINING RING	BRASS	NICKEL	1			CHK'D BY: Kana 2024/03/04	
02	GASKER	SILICONE RUBBER	RED	1	SHEET 1 of 1 Unit: mm		 REV. C17CA3F223002 1.20	
01	SHELL	BRASS	NICKEL	1				
NO	DESCRIPTION	MATERIAL	FINISH	Q'TY				