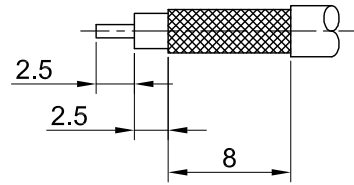
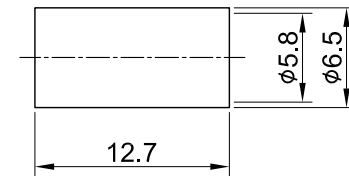
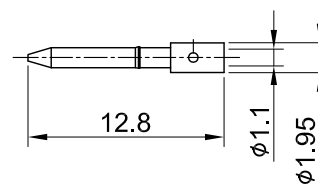
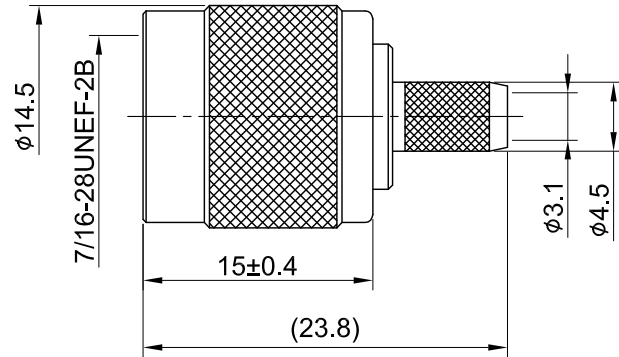


REV	DESCRIPTION	DATE
2.00	CHG 12.8/ 5/ 13 W. 13.3/ 4.7/ 12.7	2022/04/11
2.10	NEW DRAWING FRAME	2024/04/09



RECOMMENDED STRIP LENGTHS



MECHANICAL DATA
TEMPERATURE RANGE : -65°C ~ + 165°C

ELECTRICAL DATA
FREQUENCY RANGE: DC~6GHz
IMPEDANCE : 50Ω
VSWR : 1.3 MAX.
WORKING VOLTAGE : AC 500V
WITHSTANDING VOLTAGE : AC 1500V
INSULATION RESISTANCE : 5000 MΩ MIN

08	FERRULE	BRASS	NICKEL	1	TITLE TNC(M) st. crimp for RG400, RG142			
07	INNER RETAINING RING	BRASS	NICKEL	1				
06	SHELL	BRASS	NICKEL	1				
05	WASHER	BRASS	NICKEL	1	DWG NO. C17CA3F400002-1		DRAWN BY: Kelly 2024/04/09	
04	GASKET	SILICONE RUBBER	RED	1	CUST. P/N: N/A DWG NO: N/A		CHK'D BY: Kana 2024/04/09	
03	CENTER PIN	BRASS	GOLD	1				
02	INSULATOR	TEFLON	NONE	1				
01	BODY	BRASS	NICKEL	1	SHEET 1 of 1 Unit: mm		 REV. 2.10	
NO	DESCRIPTION	MATERIAL	FINISH	Q'TY			DA2403260025	