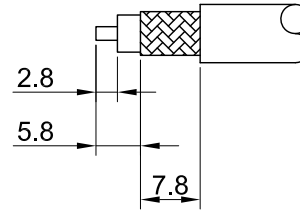
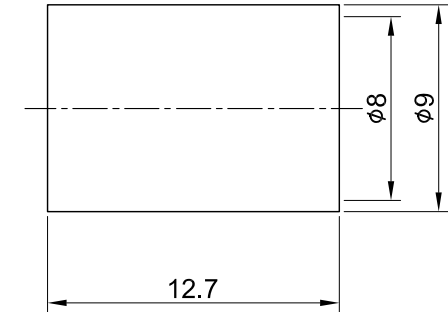
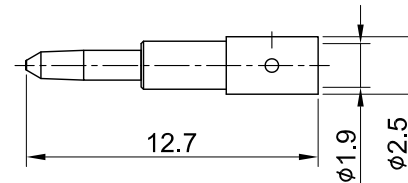
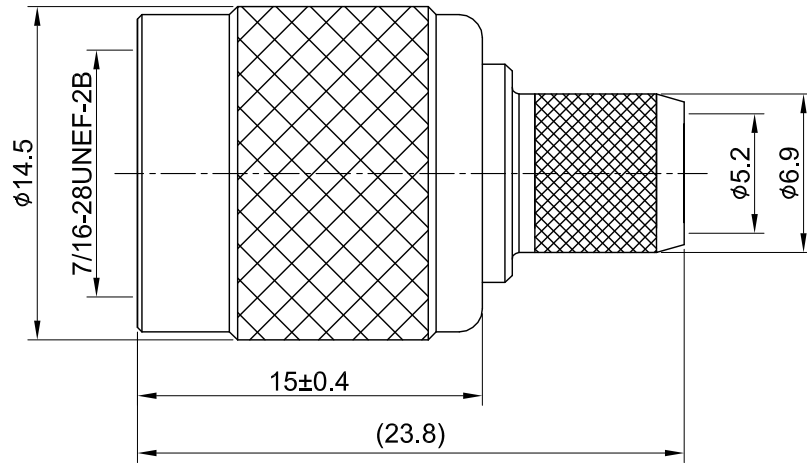


REV	DESCRIPTION	DATE
2.10	UPDATE GASKET MATERIAL AND FINISH	2021/08/24
2.20	NEW DRAWING FRAME	2024/10/18




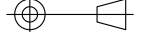
RECOMMENDED STRIP LENGTHS



MECHANICAL DATA
TEMPERATURE RANGE : -65°C ~ + 165°C

ELECTRICAL DATA
FREQUENCY RANGE: DC~6GHz
IMPEDANCE : 50Ω
VSWR : 1.5 MAX.
WORKING VOLTAGE : AC 500V
WITHSTANDING VOLTAGE : AC 1500V
INSULATION RESISTANCE : 5000 MΩ MIN

08	FERRULE	BRASS	NICKEL	1
07	WASHER	BRASS	NICKEL	1
06	BODY	BRASS	NICKEL	1
05	INNER RETAINING RING	BRASS	NONE	1
04	GASKET	SILICONE RUBBER	RED	1
03	CENTER PIN	BRASS	GOLD	1
02	INSULATOR	TEFLON	NONE	1
01	SHELL	BRASS	NICKEL	1
NO	DESCRIPTION	MATERIAL	FINISH	Q'TY

TITLE			
TNC(M) st. crimp type for LMR300, Nickel			
DWG NO.		C17CA3FL30002	
CUST. P/N: N/A		DRAWN BY: Kelly 2024/10/18	
DWG NO: N/A		CHK'D BY: Chilli 2024/10/18	
SHEET 1 of 1			
Unit: mm		REV. 2.20	
		DA2410170021	

GENERAL TOLERANCES
.X ±0.2
.XX ±0.2
.XXX ±0.2
ANGLES N/A