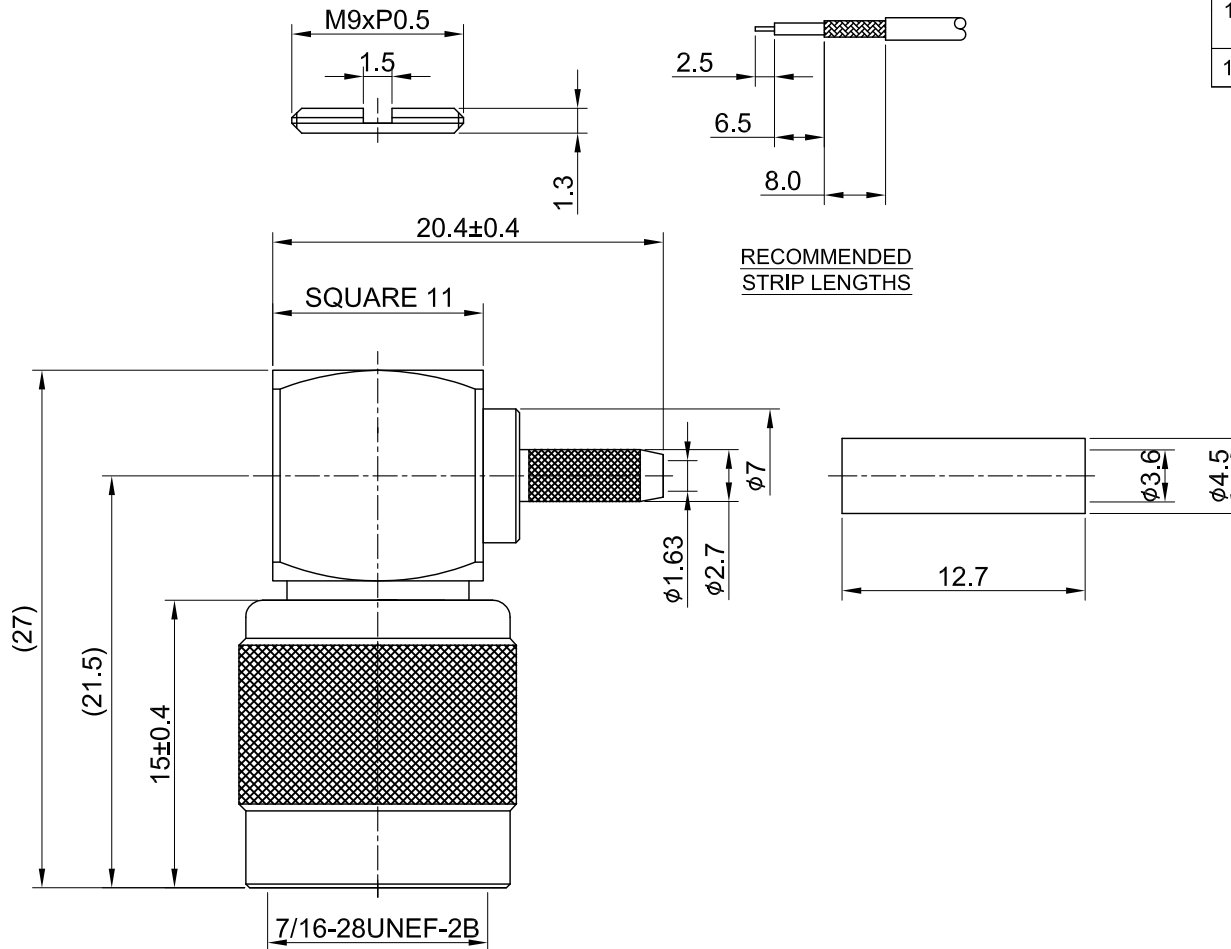


REV	DESCRIPTION	DATE
1.11	ADD ORING COLOR, CORRECT FULL MATERIAL NAME SILICON RUBBER	2021/03/05
1.20	NEW DRAWING FRAME	2024/04/10



10	FERRULE	BRASS	NICKEL	1
09	NUT	BRASS	NICKEL	1
08	BODY B	BRASS	NICKEL	1
07	BODY A	BRASS	NICKEL	1
06	CENTER PIN	BRASS	GOLD	1
05	WASHER	BRASS	NICKEL	1
04	GASKET	SILICONE RUBBER	RED	1
03	INNER RETAINING RING	BRASS	NICKEL	1
02	INSULATOR	TEFLON	NONE	1
01	SHELL	BRASS	NICKEL	1
NO	DESCRIPTION	MATERIAL	FINISH	Q'TY

TITLE		DRAWN BY: Kelly		2024/04/10
TNC(M) ra. crimp type for RD316		CHK'D BY: Kana		2024/04/10
DWG NO. C17DA3F316D04		GENERAL TOLERANCES		
CUST. P/N: N/A DWG NO: N/A		.X ±0.2 .XX ±0.2 .XXX ±0.2 ANGLES N/A		
SHEET 1 of 1	Unit: mm	DA2403260029		REV. 1.20

MECHANICAL DATA  
TEMPERATURE RANGE : -65°C ~ + 165°C

ELECTRICAL DATA  
FREQUENCY RANGE: DC~3GHz  
IMPEDANCE : 50Ω  
VSWR : 1.5 MAX.  
WORKING VOLTAGE : AC 500V  
WITHSTANDING VOLTAGE : AC 1500V  
INSULATION RESISTANCE : 5000 MΩ MIN

