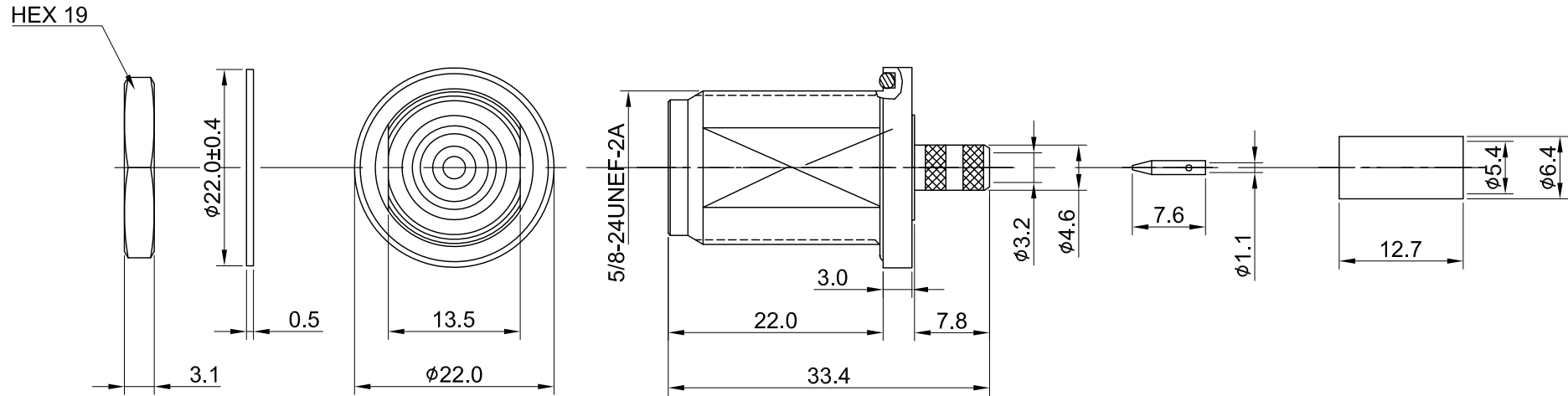
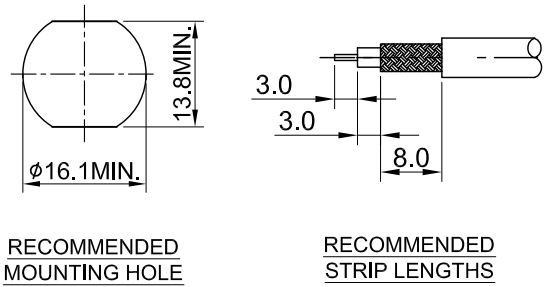


REV	DESCRIPTION	DATE
2.10	NEW DRAWING FRAME	2023/08/07
2.11	CORRECT THREAD SPECIFICATION	2024/10/16



MECHANICAL DATA  
 DURABILITY : 100 CYCLES  
 TEMPERATURE RANGE : -65°C ~ + 165°C

ELECTRICAL DATA  
 FREQUENCY RANGE: DC~6GHz  
 IMPEDANCE : 50Ω  
 VSWR : 1.35 MAX.  
 WORKING VOLTAGE : AC 1000V  
 WITHSTANDING VOLTAGE : AC 2500V  
 INSULATION RESISTANCE : 5000 MΩ MIN

08	GASKET	SILICONE RUBBER	BLACK	1	TITLE N(F)st.bh.wOring for RG58					
07	NUT	BRASS	NICKEL	1						
06	WASHER	BRASS	NICKEL	1						
05	FERRULE	BRASS	NICKEL	1	DWG NO. C28CE31058A02C		DRAWN BY: Kelly 2024/10/16			
04	CONTACT	BRASS	GOLD	1	CUST. P/N: N/A DWG NO: N/A		CHK'D BY: Eileen 2024/10/16			
03	CENTER PIN	P.BRONZE	GOLD	1					REV. 2.11	
02	INSULATOR	TEFLON	NONE	1						
01	BODY	BRASS	NICKEL	1	SHEET 1 of 1    Unit: mm		DA2410160009			
NO	DESCRIPTION	MATERIAL	FINISH	Q'TY						