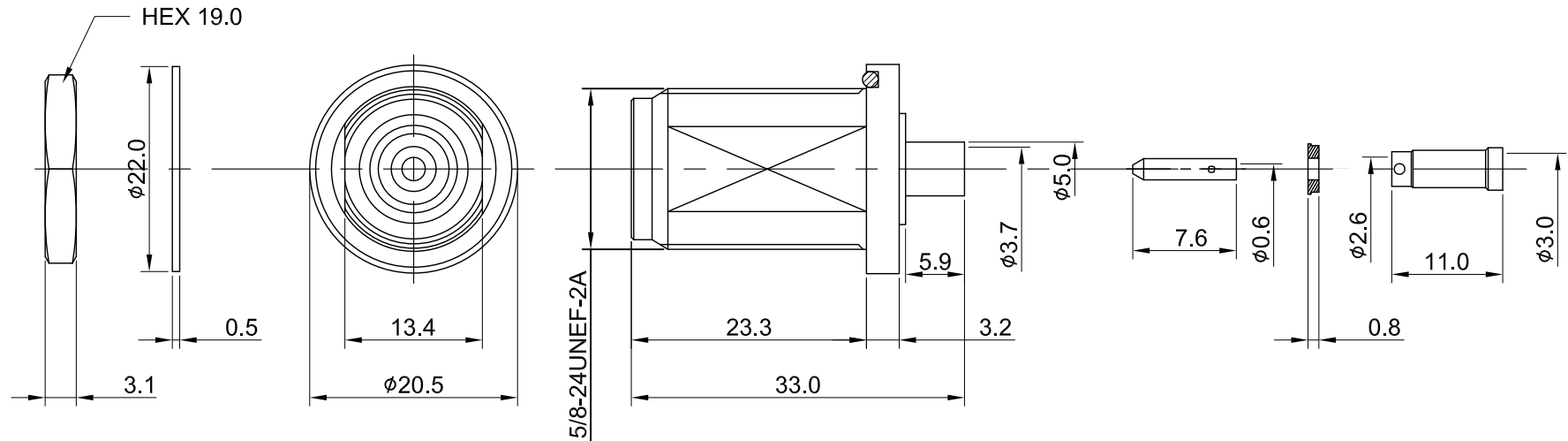
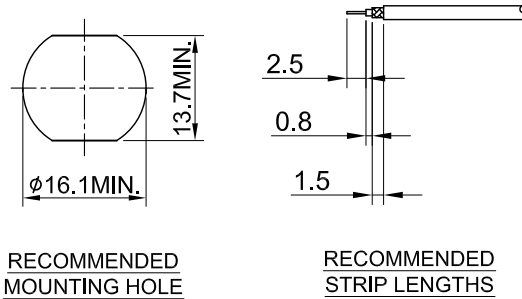


REV	DESCRIPTION	DATE
3.00	CHG PIN Design, CHG SLEEVE FINISH NICKEL w. ALBALOY	2012/05/10
3.20	NEW DRAWING FRAME	2024/02/21



MECHANICAL DATA
 DURABILITY : 100 CYCLES
 TEMPERATURE RANGE : -65°C ~ + 165°C

ELECTRICAL DATA
 FREQUENCY RANGE: DC~6GHz
 IMPEDANCE : 50Ω
 VSWR : 1.35 MAX.
 WORKING VOLTAGE : AC 1000V
 WITHSTANDING VOLTAGE : AC 2500V
 INSULATION RESISTANCE : 5000 MΩ MIN

09	GASKET	SILICONE RUBBER	BLACK	1
08	WASHER	BRASS	NICKEL	1
07	NUT	BRASS	NICKEL	1
06	SLEEVE	BRASS	NICKEL	1
05	INSULATOR B	TEFLON	NONE	1
04	CENTER	BRASS	GOLD	1
03	INSULATOR A	TEFLON	NONE	1
02	PIN	P.Bronze	GOLD	1
01	BODY	BRASS	NICKEL	1
NO	DESCRIPTION	MATERIAL	FINISH	Q'TY

TITLE		DRAWN BY: Kelly		2024/02/21
N Straight bulkhead Jack with O-ring Solder for RD316 Cable		CHK'D BY: Eileen		2024/02/21
DWG NO. C28CE31316D02F		REV.		3.20
CUST. P/N: N/A DWG NO: N/A		DA2402050068		

Wellshow

GENERAL TOLERANCES
 .X ±0.2
 .XX ±0.2
 .XXX ±0.2
 ANGLES N/A

DA2402050068