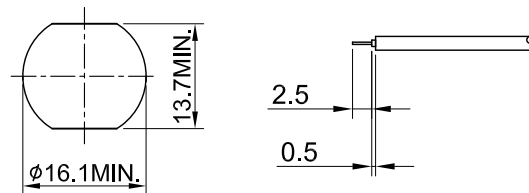
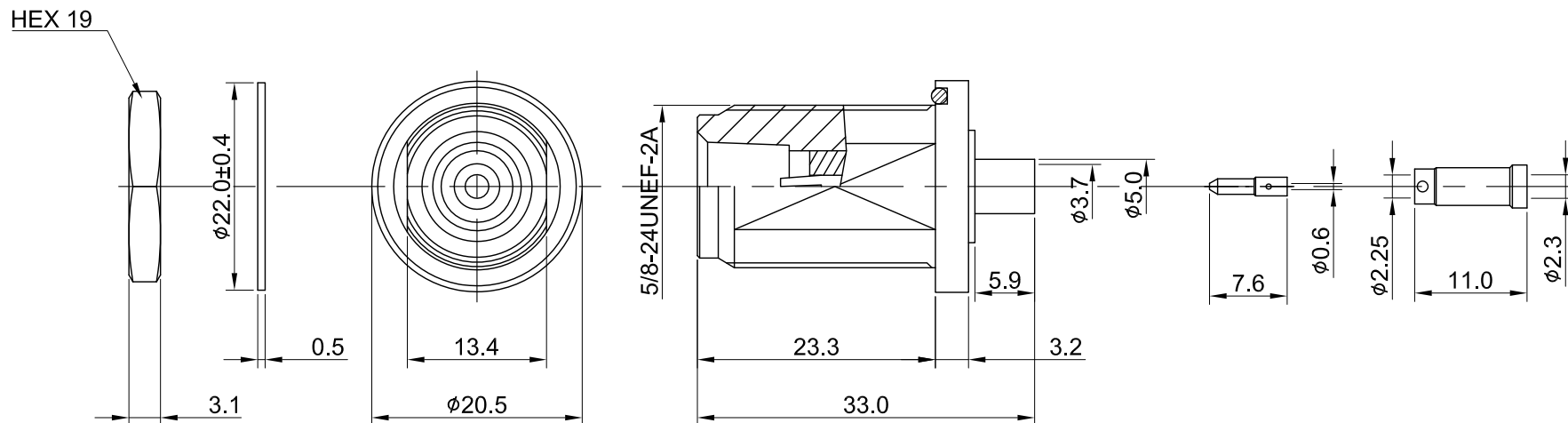


REV	DESCRIPTION	DATE
2.01	SHOW FULL MATERIAL NAME SILICONE RUBBER	2021/03/02
2.10	CHG C28CE31085002G W. C28CE31085002F	2024/10/04
2.11	UPDATE TITLE	2024/10/24



RECOMMENDED MOUNTING HOLE

RECOMMENDED STRIP LENGTHS



MECHANICAL DATA  
 DURABILITY : 100 CYCLES  
 TEMPERATURE RANGE : -65°C ~ + 165°C

ELECTRICAL DATA  
 FREQUENCY RANGE: DC~6GHz  
 IMPEDANCE : 50Ω  
 VSWR : 1.35 MAX.  
 WORKING VOLTAGE : AC 1000V  
 WITHSTANDING VOLTAGE : AC 2500V  
 INSULATION RESISTANCE : 5000 MΩ MIN

08	NUT	BRASS	NICKEL	1	TITLE N(F) bh. w/Oring for 0.085" semi cable, 6GHz			
07	WASHER	BRASS	NICKEL	1				
06	GASKET	SILICONE RUBBER	BLACK	1				
05	SLEEVE	BRASS	NICKEL	1	DWG NO. C28CE31085002G		DRAWN BY: Kelly 2024/10/24	
04	CONTACT	BRASS	GOLD	1	CUST. P/N: N/A DWG NO: N/A		CHK'D BY: Eileen 2024/10/24	
03	CENTER PIN	P.BRONZE	GOLD	1				
02	INSULATOR	TEFLON	NONE	1				
01	BODY	BRASS	NICKEL	1	SHEET 1 of 1 Unit: mm		 REV. 2.11	
NO	DESCRIPTION	MATERIAL	FINISH	Q'TY			DA2410240009	

GENERAL TOLERANCES	
.X	±0.2
.XX	±0.2
.XXX	±0.2
ANGLES	N/A