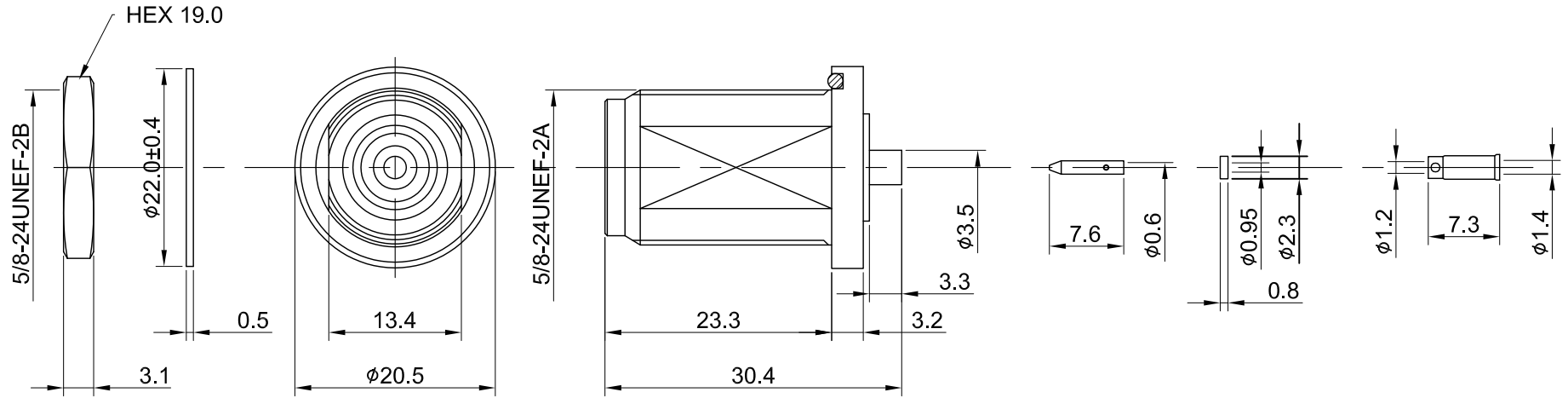
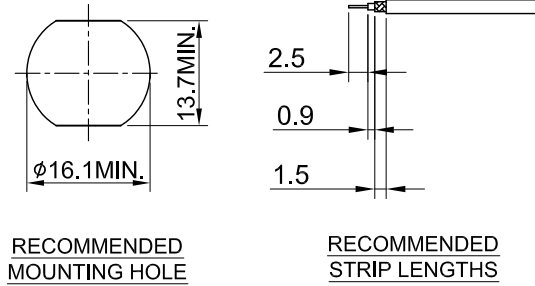


REV	DESCRIPTION	DATE
1.01	CHG DIM $\phi 0.9$ W. $\phi 0.8$ , ADD DIM $\phi 2.3$	2014/08/19
1.10	NEW DRAWING FRAME	2024/10/07



MECHANICAL DATA  
 DURABILITY : 100 CYCLES  
 TEMPERATURE RANGE : -65°C ~ + 165°C

ELECTRICAL DATA  
 FREQUENCY RANGE: DC~6GHz  
 IMPEDANCE : 50Ω  
 VSWR : 1.35 MAX.  
 WORKING VOLTAGE : AC 1000V  
 WITHSTANDING VOLTAGE : AC 2500V  
 INSULATION RESISTANCE : 5000 MΩ MIN

09	NUT	BRASS	GOLD	1
08	WASHER	BRASS	GOLD	1
07	GASKET	SILICONE RUBBER	BLACK	1
06	SLEEVE	BRASS	NICKEL	1
05	CONTACT	BRASS	GOLD	1
04	INSULATOR B	TEFLON	NONE	1
03	CENTER PIN	P.BRONZE	GOLD	1
02	INSULATOR A	TEFLON	NONE	1
01	BODY	BRASS	NICKEL	1
NO	DESCRIPTION	MATERIAL	FINISH	Q'TY

TITLE  
 N(F) bh. w/Oring for 1.32

DWG NO.  
 C28CE31132002F-2

CUST.  
 P/N: N/A  
 DWG NO: N/A

SHEET 1 of 1 Unit: mm



GENERAL TOLERANCES		DRAWN BY: Kelly 2024/10/07	
.X	±0.2	CHK'D BY: Una	2024/10/07
.XX	±0.2		
.XXX	±0.2		
ANGLES	N/A		
		DA2410070007	REV. 1.10