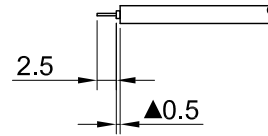
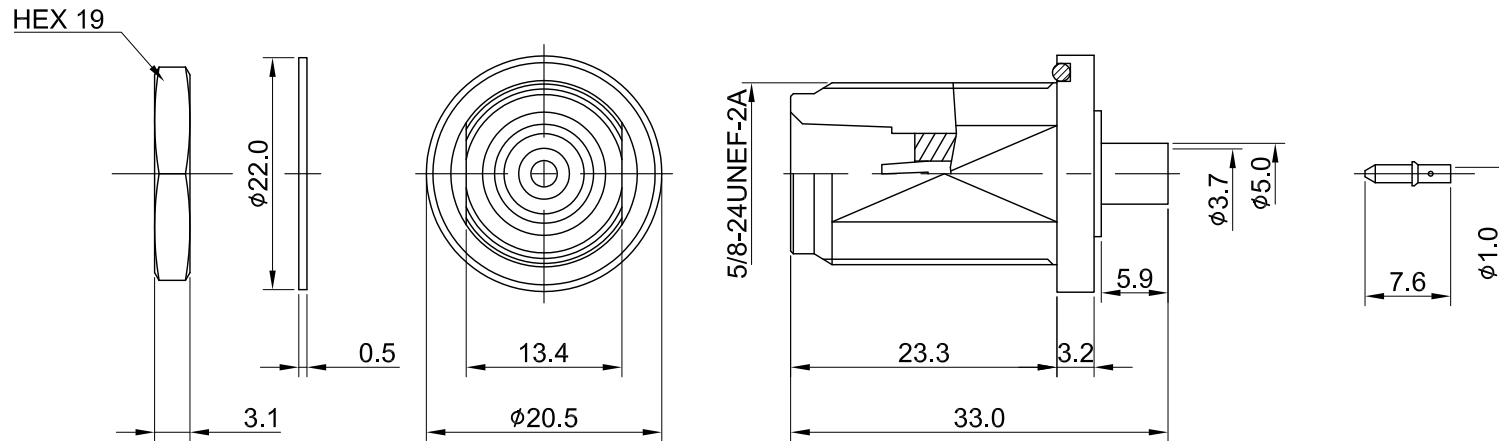


REV	DESCRIPTION	DATE
1.01	CORRECT FULL MATERIAL NAME SILICONE RUBBER	2021/08/09
1.10	UPDATE RECOMMENDED STRIP LENGTHS	2024/09/18



RECOMMENDED
STRIP LENGTHS



MECHANICAL DATA
DURABILITY : 100 CYCLES
TEMPERATURE RANGE : -65°C ~ + 165°C

ELECTRICAL DATA
FREQUENCY RANGE: DC~6GHZ
IMPEDANCE : 50Ω
VSWR : 1.35 MAX.
WORKING VOLTAGE : AC 1000V
WITHSTANDING VOLTAGE : AC 2500V
INSULATION RESISTANCE : 5000 MΩ MIN

07	NUT	BRASS	NICKEL	1
06	WASHER	BRASS	NICKEL	1
05	CONTACT	BRASS	GOLD	1
04	GASKET	SILICONE RUBBER	BLACK	1
03	CENTER PIN	P.BRONZE	GOLD	1
02	INSULATOR	TEFLON	NONE	1
01	BODY	BRASS	NICKEL	1
NO	DESCRIPTION	MATERIAL	FINISH	Q'TY

TITLE		DRAWN BY: Kelly		2024/09/18	
N(F) bh. w/Oring, pin in pin for RG402/.141 cable		CHK'D BY: Eileen		2024/09/18	
DWG NO. C28CE31141002G		GENERAL TOLERANCES			
CUST. P/N: N/A DWG NO: N/A		.X ±0.2 .XX ±0.2 .XXX ±0.2 ANGLES N/A			
SHEET 1 of 1 Unit: mm		DA2409180011		REV. 1.10	