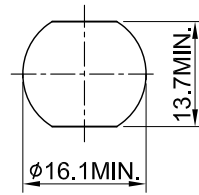
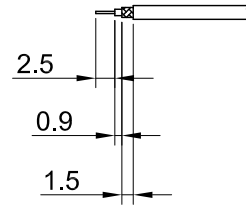


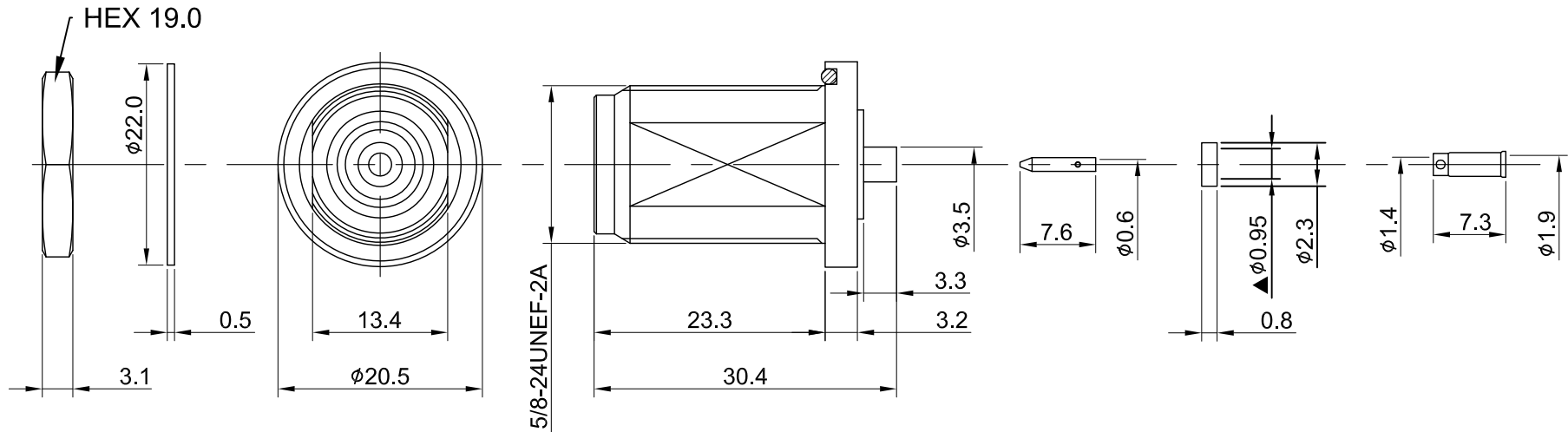
REV	DESCRIPTION	DATE
1.02	ADD THREAD AND RECOMMENDED MOUNTING HOLE	2014/08/19
1.10	CORRECT $\phi 0.95$ W. $\phi 0.9$	2024/02/06



RECOMMENDED MOUNTING HOLE




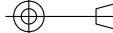
RECOMMENDED STRIP LENGTHS



MECHANICAL DATA
 DURABILITY : 100 CYCLES
 TEMPERATURE RANGE : -65°C ~ + 165°C

ELECTRICAL DATA
 FREQUENCY RANGE: DC~6GHz
 IMPEDANCE : 50Ω
 VSWR : 1.35 MAX.
 WORKING VOLTAGE : AC 1000V
 WITHSTANDING VOLTAGE : AC 2500V
 INSULATION RESISTANCE : 5000 MΩ MIN

09	SLEEVE	BRASS	NICKEL	1
08	INSULATOR B	TEFLON	NONE	1
07	PIN	BRASS	GOLD	1
06	NUT	BRASS	NICKEL	1
05	WASHER	BRASS	NICKEL	1
04	GASKET	SILICONE RUBBER	BLACK	1
03	CENTER PIN	P.Bronze	GOLD	1
02	INSULATOR A	TEFLON	NONE	1
01	BODY	BRASS	NICKEL	1
NO	DESCRIPTION	MATERIAL	FINISH	Q'TY

TITLE		DRAWN BY: Kelly		2024/02/06											
N(F) bh. w/Oring for RG178		CHK'D BY: Eileen		2024/02/06											
DWG NO. C28CE31178002F-2				REV.											
CUST. P/N: N/A		<table border="1"> <thead> <tr> <th colspan="2">GENERAL TOLERANCES</th> </tr> </thead> <tbody> <tr> <td>.X</td> <td>±0.2</td> </tr> <tr> <td>.XX</td> <td>±0.2</td> </tr> <tr> <td>.XXX</td> <td>±0.2</td> </tr> <tr> <td>ANGLES</td> <td>N/A</td> </tr> </tbody> </table>		GENERAL TOLERANCES		.X	±0.2	.XX	±0.2	.XXX	±0.2	ANGLES	N/A		1.10
GENERAL TOLERANCES															
.X	±0.2														
.XX	±0.2														
.XXX	±0.2														
ANGLES	N/A														
SHEET 1 of 1	Unit: mm	DA2402050063													