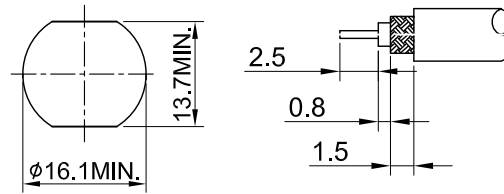
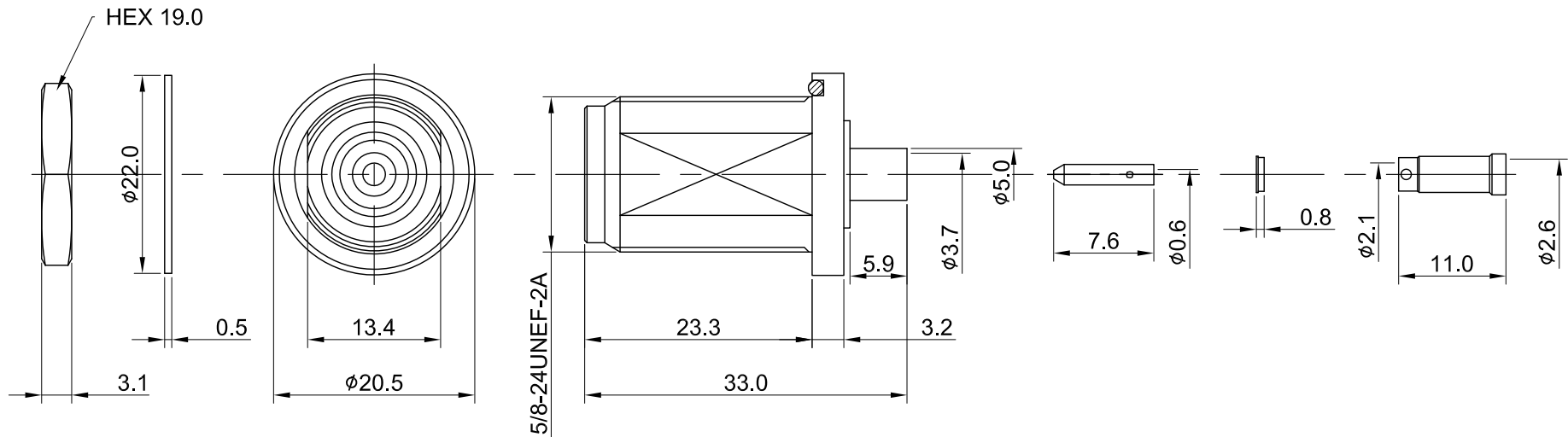


REV	DESCRIPTION	DATE
2.40	CHG DWG NO. C28CE31316002F W. C28CE31174002F	2014/06/13
2.50	NEW DRAWING FRAME	2024/02/07



RECOMMENDED MOUNTING HOLE

RECOMMENDED STRIP LENGTHS



MECHANICAL DATA
 DURABILITY : 100 CYCLES
 TEMPERATURE RANGE : -65°C ~ + 165°C

ELECTRICAL DATA
 FREQUENCY RANGE: DC~6GHZ
 IMPEDANCE : 50Ω
 VSWR : 1.35 MAX.
 WORKING VOLTAGE : AC 1000V
 WITHSTANDING VOLTAGE : AC 2500V
 INSULATION RESISTANCE : 5000 MΩ MIN

09	SLEEVE	BRASS	NICKEL	1
08	CONTACT	BRASS	GOLD	1
07	INSULATOR B	TEFLON	NONE	1
06	NUT	BRASS	NICKEL	1
05	WASHER	BRASS	NICKEL	1
04	O RING	SILICONE RUBBER	BLACK	1
03	CENTER PIN	P.BRONZE	GOLD	1
02	INSULATOR A	TEFLON	NONE	1
01	BODY	BRASS	NICKEL	1
NO	DESCRIPTION	MATERIAL	FINISH	Q'TY

TITLE		DRAWN BY: Kelly		2024/02/07
N(F) bh. wOring for RG316		CHK'D BY: Eileen		2024/02/07
DWG NO. C28CE31316002F		REV.		2.50
CUST. P/N: N/A		DA2402050052		
DWG NO: N/A		Unit: mm		
SHEET 1 of 1		GENERAL TOLERANCES		
		.X ±0.2		
		.XX ±0.2		
		.XXX ±0.2		
		ANGLES N/A		

