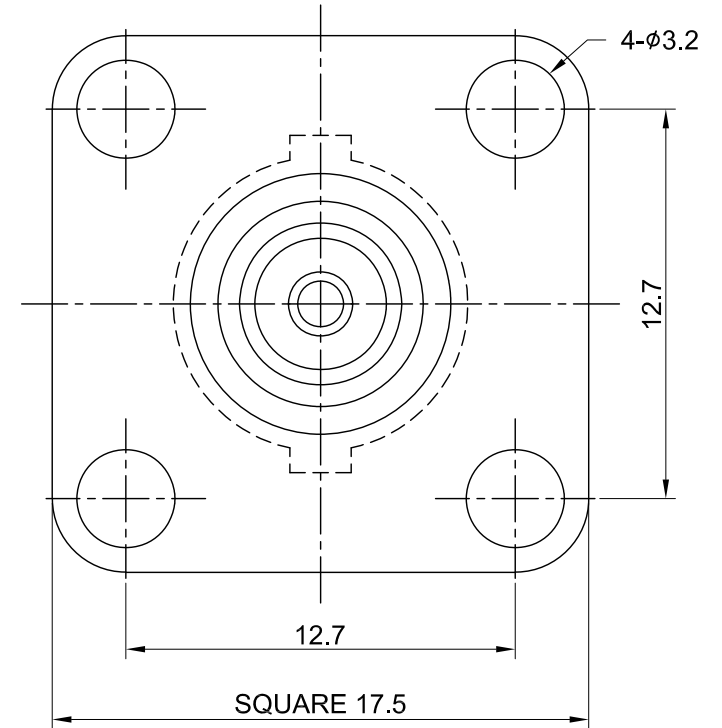
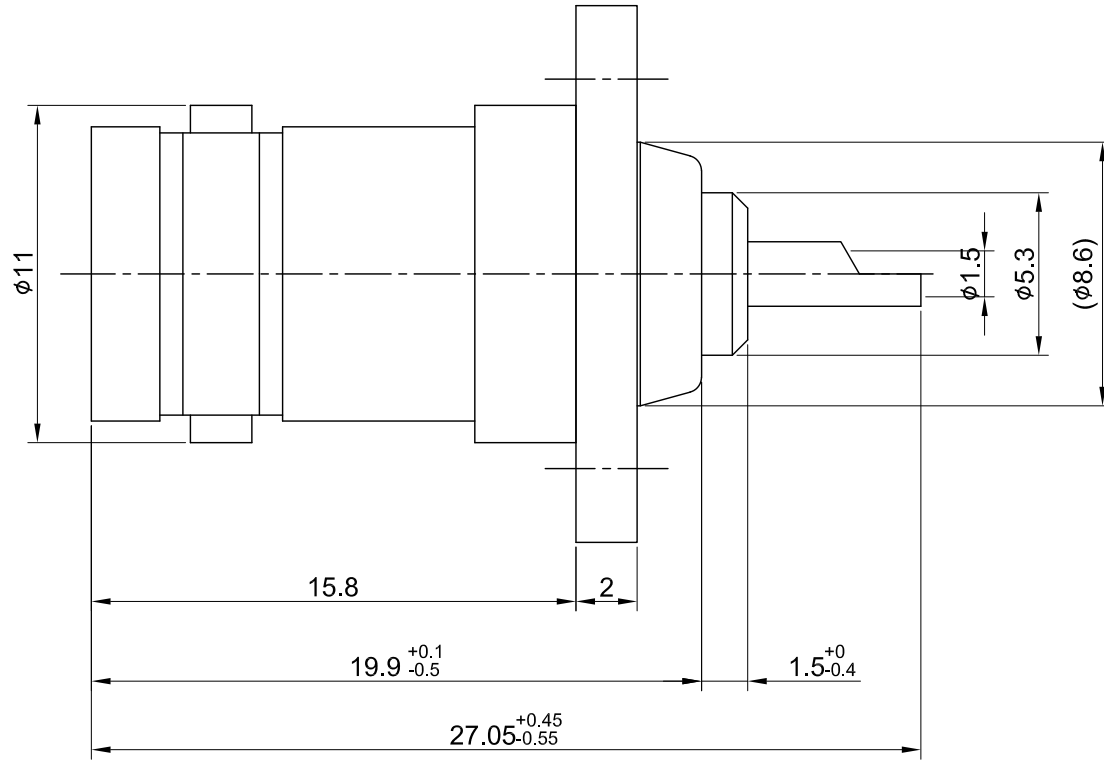



REV	DESCRIPTION	DATE
1.00	INITIAL DESIGN	2014/09/24
1.10	UPDATE DRAWING	2024/10/18



MECHANICAL DATA  
 DURABILITY : 10 CYCLES  
 TEMPERATURE RANGE : -65°C ~ + 165°C

ELECTRICAL DATA  
 FREQUENCY RANGE: DC~4GHz  
 IMPEDANCE : 50Ω  
 VSWR : 1.5 MAX.  
 WORKING VOLTAGE : AC 500V  
 WITHSTANDING VOLTAGE : AC 1500V  
 INSULATION RESISTANCE : 5000 MΩ MIN

05	PANEL	BRASS	NICKEL	1
04	INSULATOR B	TEFLON	NONE	1
03	CENTER PIN	BRASS	GOLD	1
02	INSULATOR A	TEFLON	NONE	1
01	BODY	BRASS	NICKEL	1
NO	DESCRIPTION	MATERIAL	FINISH	Q'TY

TITLE BNC(F) st. 4hole panel mount solder type		DWG NO. C16CG3F36			
CUST. P/N: N/A DWG NO: N/A		GENERAL TOLERANCES .X ±0.2 .XX ±0.2 .XXX ±0.2 ANGLES N/A		DRAWN BY: Kelly 2024/10/18 CHK'D BY: Chilli 2024/10/18 REV. 1.10	
SHEET 1 of 1	Unit: mm	DA2410180005			