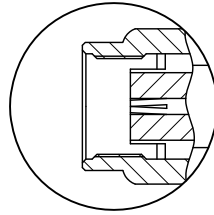
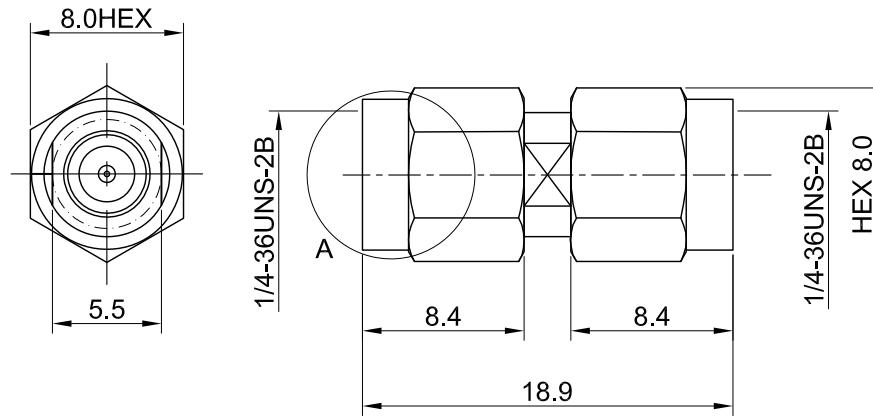


REV	DESCRIPTION	DATE
1.00	INITIAL DESIGN	2014/09/17
1.10	NEW DRAWING FRAME	2024/01/02



DETAIL A



MECHANICAL DATA  
 DURABILITY : 500 CYCLES  
 TEMPERATURE RANGE : -65°C ~ + 165°C

ELECTRICAL DATA  
 FREQUENCY RANGE: DC~10GHz  
 IMPEDANCE : 50Ω  
 VSWR : 1.3 MAX.  
 WORKING VOLTAGE : AC 500V  
 WITHSTANDING VOLTAGE : AC 1000V  
 INSULATION RESISTANCE : 5000 MΩ MIN

06	SHELL	BRASS	GOLD	1
05	RING	Be.Cu	NONE	1
04	GASKET	SILICONE RUBBER	NONE	1
03	CENTER PIN	Be.Cu	GOLD	1
02	INSULATOR	TEFLON	NONE	1
01	BODY	BRASS	GOLD	1
NO	DESCRIPTION	MATERIAL	FINISH	Q'TY

TITLE		SMA(M) to RP SMA(M) (Gold),0~10GHz																					
DWG NO.		C0A00310119-02																					
CUST.		DRAWN BY: Kelly 2024/01/02																					
P/N: N/A		CHK'D BY: Maria 2024/01/02																					
DWG NO: N/A																							
SHEET 1 of 1		<table border="1"> <tr> <td>GENERAL TOLERANCES</td> <td>ANGLES</td> <td>DA2312270022</td> <td>REV. 1.10</td> </tr> <tr> <td>.X ±0.2</td> <td></td> <td></td> <td></td> </tr> <tr> <td>.XX ±0.2</td> <td></td> <td></td> <td></td> </tr> <tr> <td>.XXX ±0.2</td> <td></td> <td></td> <td></td> </tr> <tr> <td>ANGLES N/A</td> <td></td> <td></td> <td></td> </tr> </table>		GENERAL TOLERANCES	ANGLES	DA2312270022	REV. 1.10	.X ±0.2				.XX ±0.2				.XXX ±0.2				ANGLES N/A			
GENERAL TOLERANCES	ANGLES	DA2312270022	REV. 1.10																				
.X ±0.2																							
.XX ±0.2																							
.XXX ±0.2																							
ANGLES N/A																							
Unit: mm																							