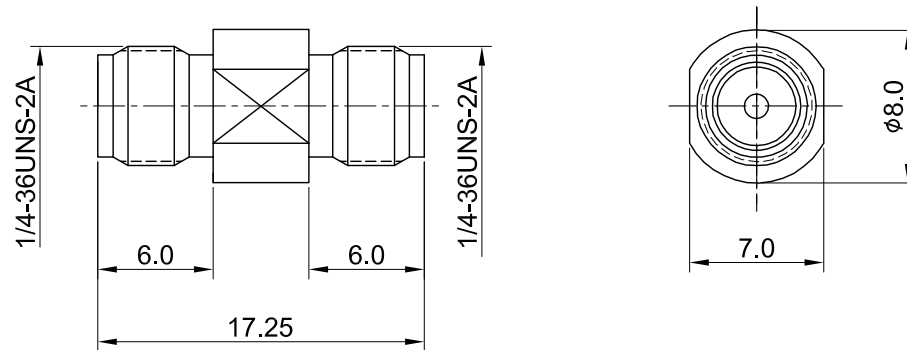



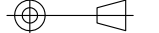
REV	DESCRIPTION	DATE
1.00	INITIAL DESIGN	2015/08/24
1.10	NEW DRAWING FRAME	2024/03/15



MECHANICAL DATA
 DURABILITY : 500 CYCLES
 TEMPERATURE RANGE : -65°C ~ + 165°C

ELECTRICAL DATA
 FREQUENCY RANGE: DC~10GHz
 IMPEDANCE : 50Ω
 VSWR : 1.3 MAX.
 WORKING VOLTAGE : AC 500V
 WITHSTANDING VOLTAGE : AC 1000V
 INSULATION RESISTANCE : 5000 MΩ MIN

03	CENTER PIN	Be.Cu	GOLD	1
02	INSULATOR	TEFLON	NONE	1
01	BODY	BRASS	GOLD	1
NO	DESCRIPTION	MATERIAL	FINISH	Q'TY

TITLE		DRAWN BY: Kelly		2024/03/15	
SMA Female to SMA Female (Gold)		CHK'D BY: Eileen		2024/03/15	
DWG NO. C0A00310202-01					
CUST. P/N: N/A		GENERAL TOLERANCES .X ±0.2 .XX ±0.2 .XXX ±0.2 ANGLES N/A		REV. 1.10	
DWG NO: N/A		DA2403150002			
SHEET 1 of 1		Unit: mm			