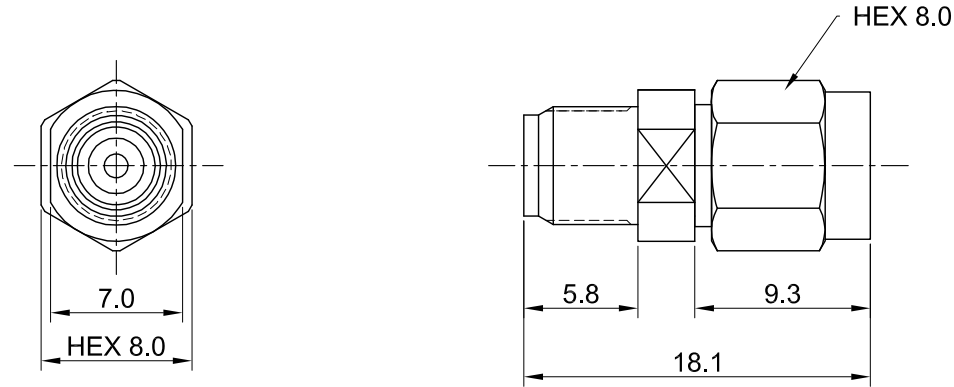


| REV | DESCRIPTION | DATE |
|------|---|------------|
| 1.01 | CORRECT FULL MATERIAL NAME IS SILICONE RUBBER | 2021/02/08 |
| 1.10 | NEW DRAWING FRAME | 2024/01/10 |



MECHANICAL DATA
 DURABILITY : 500 CYCLES
 TEMPERATURE RANGE : -65°C ~ + 165°C

ELECTRICAL DATA
 FREQUENCY RANGE: DC~10GHz
 IMPEDANCE : 50Ω
 VSWR : 1.3 MAX.
 WORKING VOLTAGE : AC 500V
 WITHSTANDING VOLTAGE : AC 1000V
 INSULATION RESISTANCE : 5000 MΩ MIN

| | | | | |
|----|-------------|----------------|--------|------|
| 06 | GASKET | SILICON RUBBER | NONE | 1 |
| 05 | C-RING | Be.Cu | GOLD | 1 |
| 04 | SHELL | BRASS | GOLD | 1 |
| 03 | CENTER PIN | Be.Cu | GOLD | 1 |
| 02 | INSULATOR | PTEF | NONE | 1 |
| 01 | BODY | BRASS | GOLD | 1 |
| NO | DESCRIPTION | MATERIAL | FINISH | Q'TY |

| | | | |
|--|--|--|--|
| TITLE | | SMA(F) to RPSMA(M) st. adaptor, Gold, 50ohm, 10GHz | |
| DWG NO. | | C0A00310219-01 | |
| CUST. P/N: N/A | | DRAWN BY: Kelly 2024/01/10 | |
| DWG NO: N/A | | CHK'D BY: Eileen 2024/01/10 | |
| SHEET 1 of 1 | | Unit: mm | |
| GENERAL TOLERANCES .X ±0.2 .XX ±0.2 .XXX ±0.2 ANGLES N/A | | DA2312270005 REV. 1.10 | |

