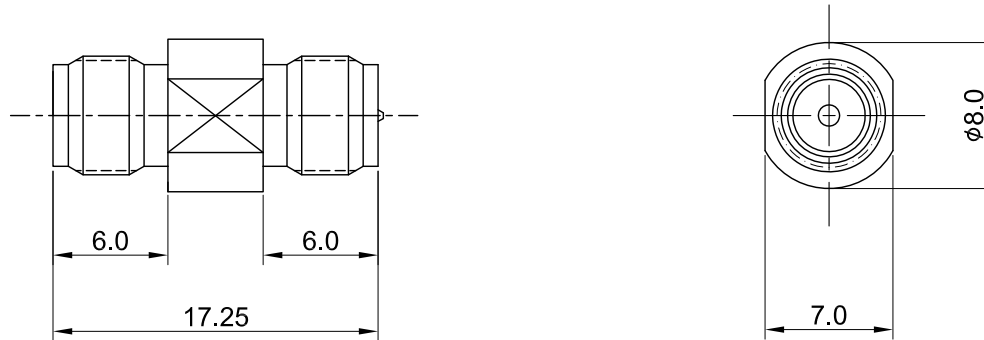



REV	DESCRIPTION	DATE
1.10	CHG DIM 17.25 was 17.1, ADD ELECTRICAL PERFORMANCE ADD INTERFACE INSULATOR	2014/09/17
1.20	NEW DRAWING FRAME	2024/01/12



MECHANICAL DATA  
 DURABILITY : 500 CYCLES  
 TEMPERATURE RANGE : -65°C ~ + 165°C

ELECTRICAL DATA  
 FREQUENCY RANGE: DC~10GHz  
 IMPEDANCE : 50Ω  
 VSWR : 1.3 MAX.  
 WORKING VOLTAGE : AC 500V  
 WITHSTANDING VOLTAGE : AC 1000V  
 INSULATION RESISTANCE : 5000 MΩ MIN

03	CENTER PIN	Be.Cu	GOLD	1
02	INSULATOR	TEFLON	NONE	1
01	BODY	BRASS	GOLD	1
NO	DESCRIPTION	MATERIAL	FINISH	Q'TY

TITLE SMA Female to RP SMA Female (Gold)(10GHz)	
DWG NO. C0A00310220-01	
CUST. P/N: N/A DWG NO: N/A	GENERAL TOLERANCES .X ±0.2 .XX ±0.2 .XXX ±0.2 ANGLES N/A
SHEET 1 of 1 Unit: mm	DRAWN BY: Kelly 2024/01/12 CHK'D BY: Eileen 2024/01/12 REV. 1.20 DA2312270039