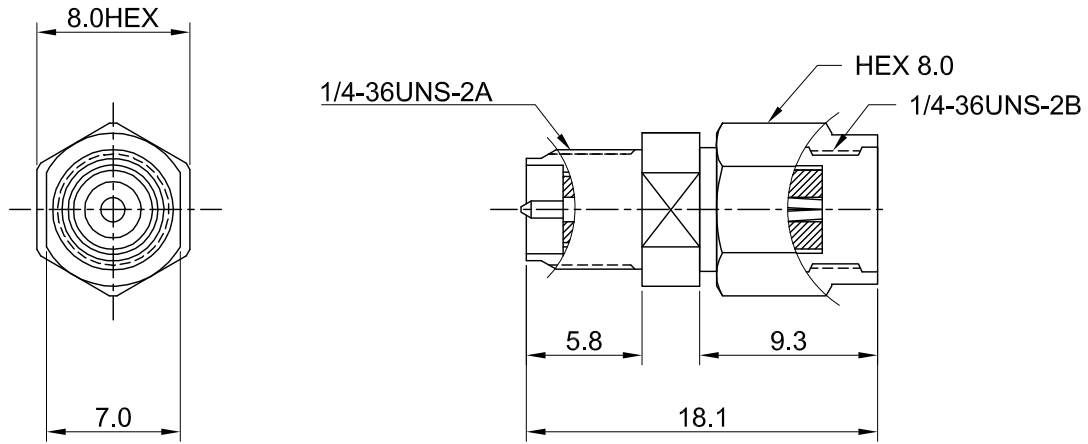



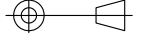
REV	DESCRIPTION	DATE
1.00	INITIAL DESIGN	2014/09/30
1.10	NEW DRAWING FRAME	2024/11/06



MECHANICAL DATA  
 DURABILITY : 500 CYCLES  
 TEMPERATURE RANGE : -65°C ~ + 165°C

ELECTRICAL DATA  
 FREQUENCY RANGE: DC~10GHz  
 IMPEDANCE : 50Ω  
 VSWR : 1.3 MAX.  
 WORKING VOLTAGE : AC 500V  
 WITHSTANDING VOLTAGE : AC 1000V  
 INSULATION RESISTANCE : 5000 MΩ MIN

06	SHELL	BRASS	GOLD	1
05	C-RING	Be.Cu	NONE	1
04	GASKET	SILICONE RUBBER	NONE	1
03	CENTER PIN	Be.Cu	GOLD	1
02	INSULATOR	TEFLON	NONE	1
01	BODY	BRASS	GOLD	1
NO	DESCRIPTION	MATERIAL	FINISH	Q'TY

TITLE PR SMA Male to RP SMA Female (Gold)			
DWG NO. C0A00311920-01			
CUST. P/N: N/A DWG NO: N/A		GENERAL TOLERANCES .X ±0.2 .XX ±0.2 .XXX ±0.2 ANGLES N/A	DRAWN BY: Kelly 2024/11/06 CHK'D BY: Mindy 2024/11/06
SHEET 1 of 1	Unit: mm		REV. 1.10

DA2411050020