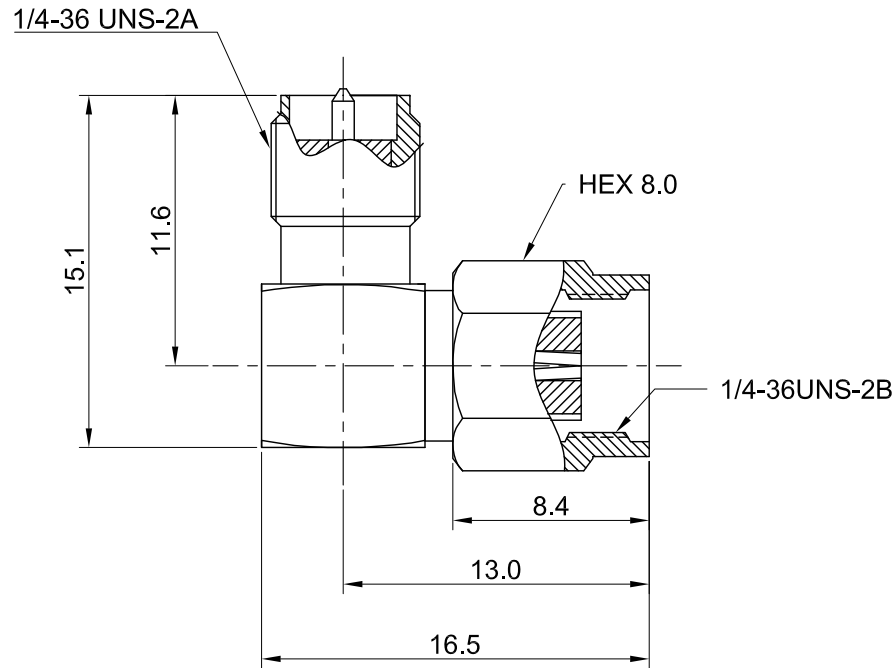


REV	DESCRIPTION	DATE
1.00	INITIAL DESIGN	2012/02/22
1.10	NEW DRAWING FRAME	2024/04/09
1.11	MODIFY SECTION VIEW RANGE	2024/11/12



MECHANICAL DATA
 DURABILITY : 100 CYCLES
 TEMPERATURE RANGE : -65°C ~ + 165°C

ELECTRICAL DATA
 FREQUENCY RANGE: DC~10GHz
 IMPEDANCE : 50Ω
 VSWR : 1.45 MAX.
 WORKING VOLTAGE : AC 500V
 WITHSTANDING VOLTAGE : AC 1000V
 INSULATION RESISTANCE : 5000 MΩ MIN

06	SHELL	BRASS	GOLD	1
05	C-RING	Be.Cu	NONE	1
04	GASKET	SILICONE RUBBER	NONE	1
03	CENTER PIN	Be.Cu	GOLD	1
02	INSULATOR	TEFLON	NONE	1
01	BODY	BRASS	GOLD	1
NO	DESCRIPTION	MATERIAL	FINISH	Q'TY

TITLE		DRAWN BY: Kelly		2024/11/12	
RPSMA male to RPSMA female RA type adaptor		CHK'D BY: Mindy		2024/11/12	
DWG NO. C0A00311920-02		GENERAL TOLERANCES		REV. 1.11	
CUST. P/N: N/A		.X ±0.2		DA2411110015	
DWG NO: N/A		.XX ±0.2			
SHEET 1 of 1		.XXX ±0.2			
Unit: mm		ANGLES N/A			

