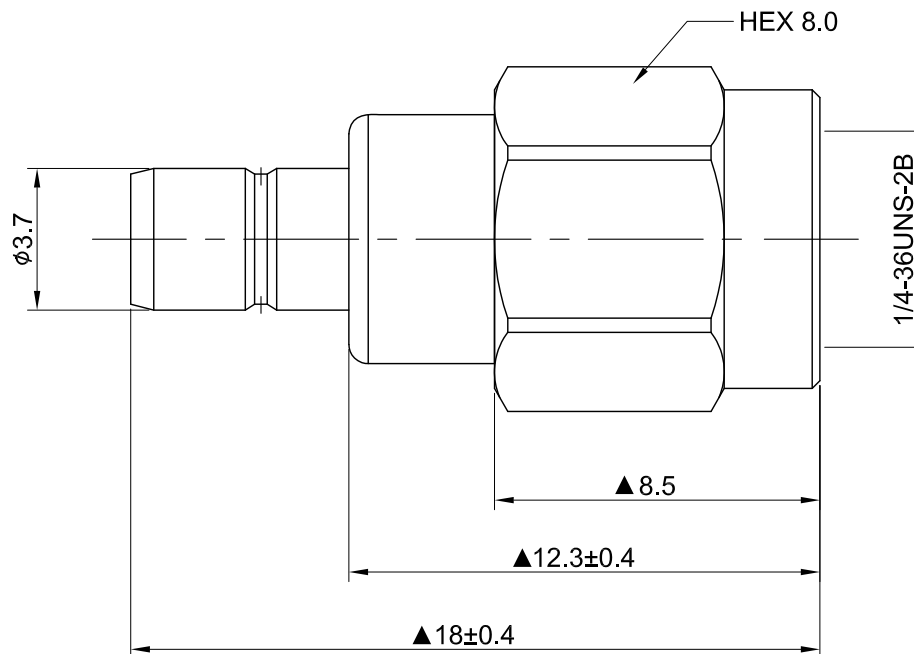


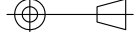
REV	DESCRIPTION	DATE
2.00	CHG CONNECTOR FINISH GOLD W. NICKEL	2012/09/26
2.10	SHELL LENGTHENED BY 0.1	2024/05/06



MECHANICAL DATA
TEMPERATURE RANGE : -65°C ~ + 165°C

ELECTRICAL DATA
FREQUENCY RANGE: DC~4GHz
IMPEDANCE : 50Ω
VSWR : 1.3 MAX.
WORKING VOLTAGE : AC 335V
WITHSTANDING VOLTAGE : AC 750V
INSULATION RESISTANCE : 1000 MΩ MIN

08	SHELL	BRASS	GOLD	1	TITLE SMA(M) to SMB(F) Adaptor			
07	INNER RETAINING RING	STAINLESS	NONE	1				
06	INSULATOR B	TEFLON	NONE	1				
05	BODY B	BRASS	GOLD	1	DWG NO. C0A003F0104-01		DRAWN BY: Kelly 2024/05/06	
04	GASKET	SILICONE RUBBER	NONE	1	CUST. P/N: N/A DWG NO: N/A		CHK'D BY: Dora 2024/05/06	
03	CENTER PIN	BRASS	GOLD	1				
02	INSULATOR A	TEFLON	NONE	1				
01	BODY A	BRASS	GOLD	1	SHEET 1 of 1 Unit: mm		 REV.	
NO	DESCRIPTION	MATERIAL	FINISH	Q'TY			DA2405060001	

GENERAL TOLERANCES		DRAWN BY: Kelly 2024/05/06	
.X	±0.2	CHK'D BY: Dora 2024/05/06	
.XX	±0.2	 REV.	
.XXX	±0.2		
ANGLES	N/A	DA2405060001	