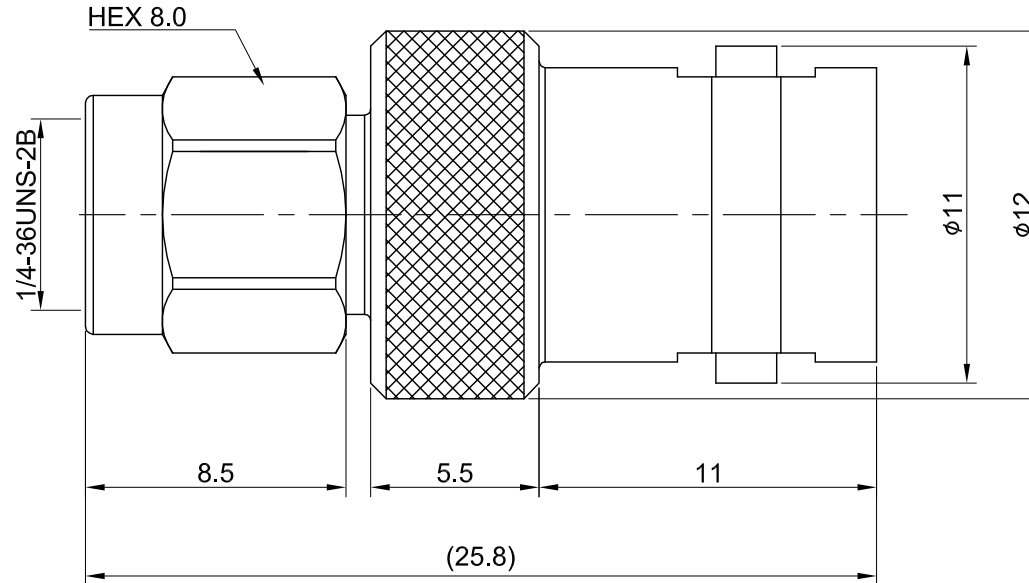


REV	DESCRIPTION	DATE
1.00	INITIAL DESIGN	2019/09/09
1.10	NEW DRAWING FRAME	2024/03/25



MECHANICAL DATA
TEMPERATURE RANGE : -65°C ~ + 165°C

ELECTRICAL DATA
FREQUENCY RANGE: DC~4GHz
IMPEDANCE : 50Ω
VSWR : 1.2 MAX.
WORKING VOLTAGE : AC 500V
WITHSTANDING VOLTAGE : AC 1000V
INSULATION RESISTANCE : 5000 MΩ MIN

07	SHELL	BRASS	NICKEL	1
06	GASKET	SILICONE RUBBER	RED	1
05	BODY	BRASS	NICKEL	1
04	INNER RETAINING RING	STAINLESS STEEL	NONE	1
03	CENTER PIN	P.BRONZE	GOLD	1
02	INSULATOR	TEFLON	NONE	1
01	PRESS WASHER	BRASS	NICKEL	1
NO	DESCRIPTION	MATERIAL	FINISH	Q'TY

TITLE		DRAWN BY: Kelly		2024/03/25	
SMA(M) to BNC(F) st. adaptor		CHK'D BY: Dora		2024/03/25	
DWG NO. C0A003F0116-01		REV.		1.10	
CUST. P/N: N/A		DRAWN BY: Kelly		2024/03/25	
DWG NO: N/A		CHK'D BY: Dora		2024/03/25	
SHEET 1 of 1		Unit: mm		DA2403040018	



GENERAL TOLERANCES	ANGLES
.X ±0.2	
.XX ±0.2	
.XXX ±0.2	
ANGLES N/A	