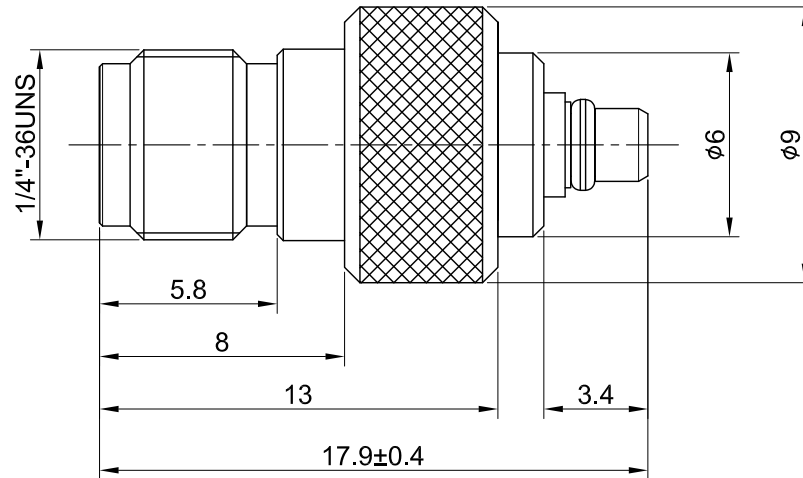


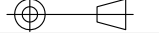
REV	DESCRIPTION	DATE
1.20	NEW DRAWING FRAME	2023/06/08
1.30	CORRECT INSULATION RESISTANCE	2023/12/05



MECHANICAL DATA  
 DURABILITY : 100 CYCLES  
 TEMPERATURE RANGE : -65°C ~ + 165°C

DIELECTRICAL DATA  
 FREQUENCY RANGE: DC~8GHz  
 IMPEDANCE : 50Ω  
 VSWR : 1.3 MAX.  
 WORKING VOLTAGE : AC 170V  
 WITHSTANDING VOLTAGE : AC 500V  
 INSULATION RESISTANCE : 1000 MΩ MIN

06	C RING	Be.Cu	GOLD	1
05	INSULATOR B	TEFLON	NONE	1
04	BODY B	BRASS	GOLD	1
03	CENTER PIN	P.BRONZE	GOLD	1
02	INSULATOR A	TEFLON	NONE	1
01	BODY A	BRASS	GOLD	1
NO	DESCRIPTION	MATERIAL	FINISH	Q'TY

TITLE		DRAWN BY:		DATE	
SMA(F) to MMCX(M) Adaptor		Lottie	2023/12/05		
DWG NO. C0A003F0205-01		CHK'D BY:	Kana	2023/12/05	
CUST. P/N: N/A DWG NO: N/A		GENERAL TOLERANCES		REVISIONS	
SHEET 1 of 1		.X ±0.2 .XX ±0.2 .XXX ±0.2 ANGLES N/A		 REV. 1.30	
Unit: mm		DA2311290003			