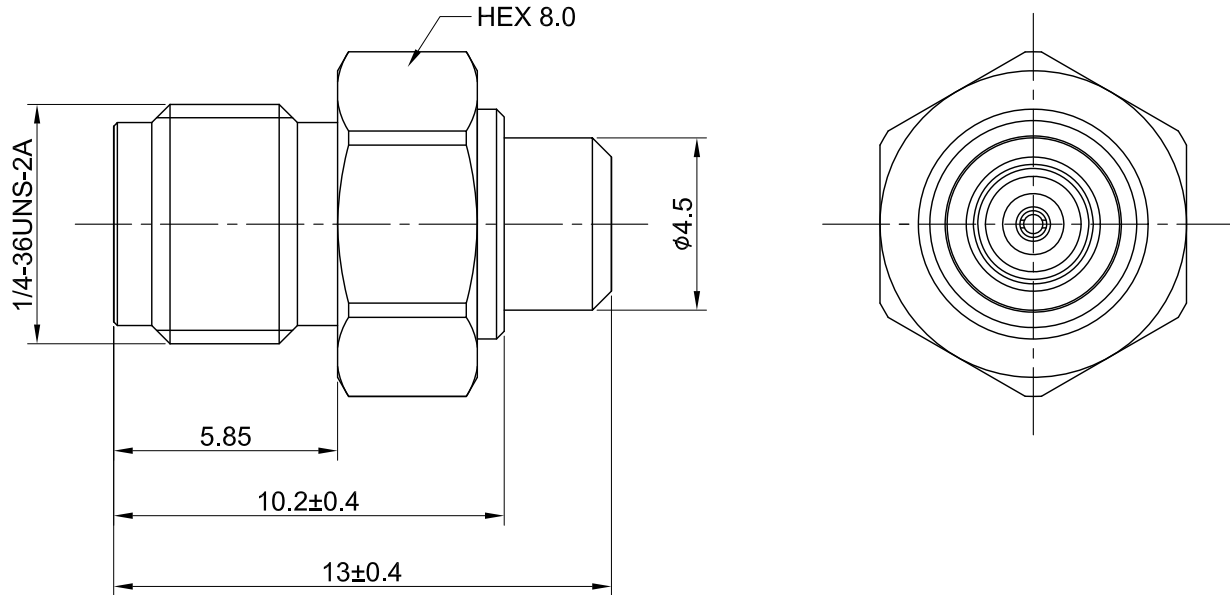


REV	DESCRIPTION	DATE
A	INITIAL DESIGN	2009/08/24
1.10	NEW DRAWING FRAME	2024/03/15



MECHANICAL DATA  
 DURABILITY : 100 CYCLES  
 TEMPERATURE RANGE : -65°C ~ + 165°C

ELECTRICAL DATA  
 FREQUENCY RANGE: DC~8GHz  
 IMPEDANCE : 50Ω  
 VSWR : 1.3 MAX.  
 WORKING VOLTAGE : AC 170V  
 WITHSTANDING VOLTAGE : AC 500V  
 INSULATION RESISTANCE : 1000 MΩ MIN

TITLE  
 SMA(F) st to MMCX(F) st, adaptor

05	BODY B	BRASS	GOLD	1
04	INSULATOR B	TEFLON	NONE	1
03	CENTER PIN	P.BRONZE	GOLD	1
02	INSULATOR A	TEFLON	NONE	1
01	BODY A	BRASS	GOLD	1
NO	DESCRIPTION	MATERIAL	FINISH	Q'TY

DWG NO. C0A003F0206-01
CUST. P/N: N/A DWG NO: N/A
SHEET 1 of 1 Unit: mm

GENERAL TOLERANCES	DRAWN BY: Kelly	2024/03/15
.X ±0.2	CHK'D BY: Kana	2024/03/15
.XX ±0.2		
.XXX ±0.2		
ANGLES N/A		

REV. 1.10  
 DA2401190018