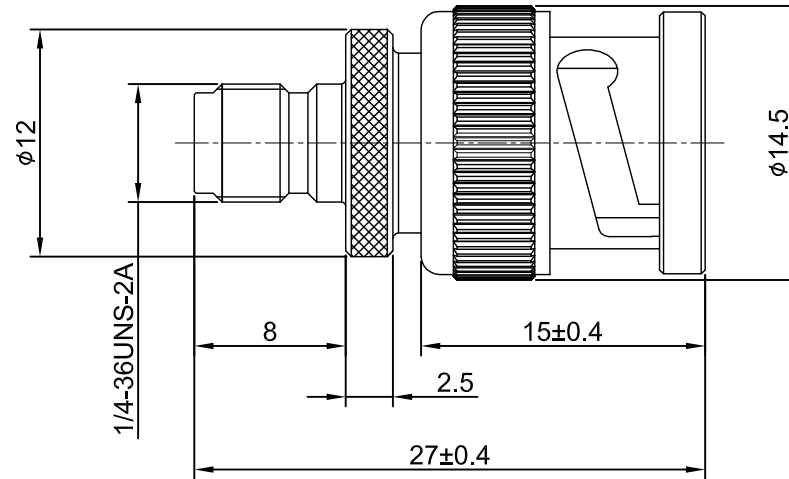


REV	DESCRIPTION	DATE
2.10	CORRECT FULL MATERIAL NAME IS SILICONE RUBBER	2024/03/15
2.20	NEW DRAWING FRAME	2024/03/15



MECHANICAL DATA
 DURABILITY : 100 CYCLES
 TEMPERATURE RANGE : -65°C ~ + 165°C

ELECTRICAL DATA
 FREQUENCY RANGE: DC~4GHz
 IMPEDANCE : 50Ω
 VSWR : 1.2 MAX.
 WORKING VOLTAGE : AC 500V
 WITHSTANDING VOLTAGE : AC 1000V
 INSULATION RESISTANCE : 5000 MΩ MIN

08	BODY	BRASS	NICKEL	1	TITLE SMA(F) st. to BNC(M) st. Adaptor			
07	CENTER PIN	P.BRONZE	GOLD	1				
06	INSULATOR	TEFLON	NONE	1	DWG NO. C0A003F0215-01		GENERAL TOLERANCES .X ±0.2 .XX ±0.2 .XXX ±0.2 ANGLES N/A	
05	WASHER	STEEL	NICKEL	1				
04	GASKET	SILICONE RUBBER	RED	1	CUST. P/N: N/A DWG NO: N/A		DRAWN BY: Kelly 2024/03/15	
03	SPRING	SK5	NICKEL	1			CHK'D BY: Kana 2024/03/15	
02	INNER RETAINING RING	STEEL	NICKEL	1	SHEET 1 of 1 Unit: mm		 REV. 2.20	
01	SHELL	BRASS	NICKEL	1				
NO	DESCRIPTION	MATERIAL	FINISH	Q'TY			DA2401190019	