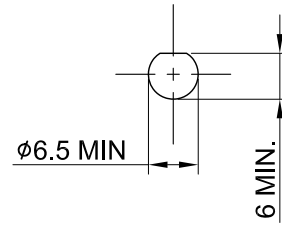
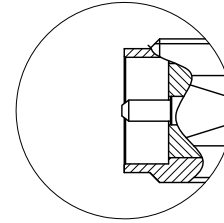


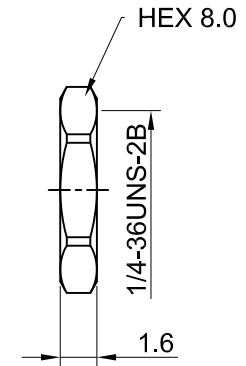
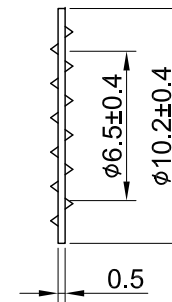
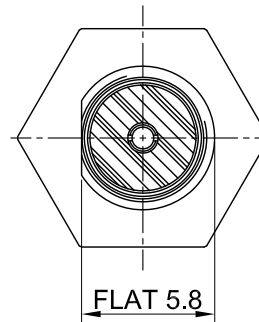
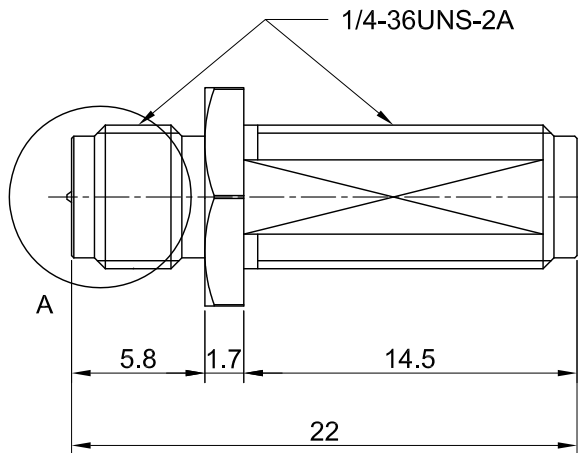
REV	DESCRIPTION	DATE
1.00	INITIAL DESIGN	2014/09/04
1.10	NEW DRAWING FRAME	2024/03/15



RECOMMENDED MOUNTING HOLE



DETAIL A



MECHANICAL DATA
 DURABILITY : 100 CYCLES
 TEMPERATURE RANGE : -65°C ~ + 165°C

ELECTRICAL DATA
 FREQUENCY RANGE: DC~6GHz
 IMPEDANCE : 50Ω
 VSWR : 1.3 MAX.
 WORKING VOLTAGE : AC 500V
 WITHSTANDING VOLTAGE : AC 1000V
 INSULATION RESISTANCE : 5000 MΩ MIN

06	NUT	BRASS	GOLD	1
05	WASHER	BRASS	GOLD	1
04	INSULATOR B	TEFLON	NONE	1
03	CENTER PIN	P.BRONZE	GOLD	1
02	INSULATOR A	TEFLON	NONE	1
01	BODY	BRASS	GOLD	1
NO	DESCRIPTION	MATERIAL	FINISH	Q'TY

TITLE			
SMA(F) bh. to RPSMA(F) st. adaptor			
DWG NO.			
C0A003F0220-02			
CUST.		DRAWN BY: Kelly 2024/03/15	
P/N: N/A		CHK'D BY: Kana 2024/03/15	
DWG NO: N/A			
SHEET 1 of 1		DA2401220013	
Unit: mm		REV. 1.10	

GENERAL TOLERANCES	
.X	±0.2
.XX	±0.2
.XXX	±0.2
ANGLES	N/A