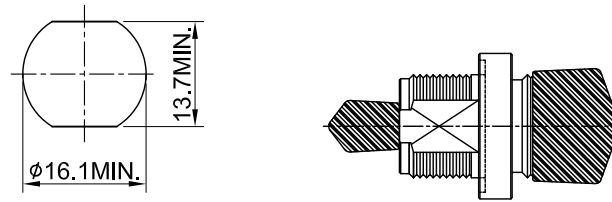
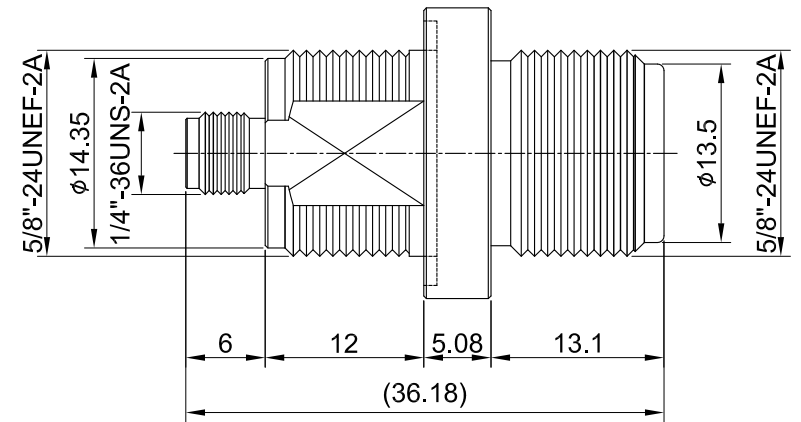
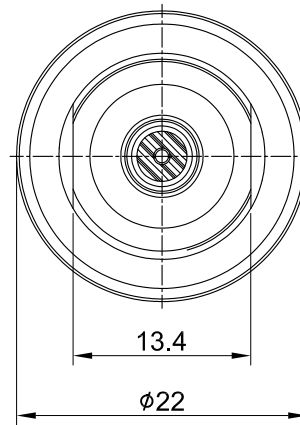
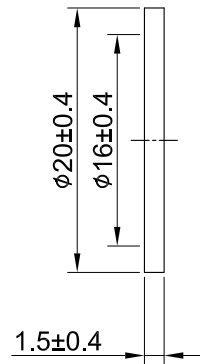
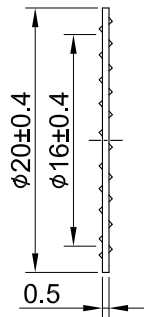
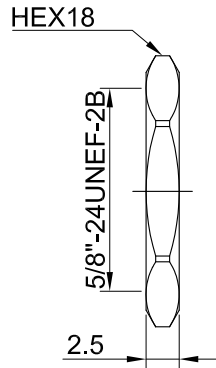


REV	DESCRIPTION	DATE
1.00	INITIAL DESIGN	2023/11/21



RECOMMENDED
MOUNTING HOLE



MECHANICAL DATA
DURABILITY : 100 CYCLES
TEMPERATURE RANGE : -65°C ~ + 165°C

ELECTRICAL DATA
FREQUENCY RANGE: DC~6GHz
IMPEDANCE : 50Ω
VSWR : 1.3 MAX.
WORKING VOLTAGE : AC 500V
WITHSTANDING VOLTAGE : AC 1000V
INSULATION RESISTANCE : 5000 MΩ MIN

13	CAP B	PVC	BLUE	1
12	CAP A	PVC	BLUE	1
11	NUT	BRASS	NICKEL	1
10	WASHER B	BRASS	NICKEL	1
09	O RING C	SILICONE RUBBER	RED	1
08	BODY	BRASS	NICKEL	1
07	INSULATOR B	TEFLON	NONE	1
06	WASHER A	BRASS	NICKEL	1
05	O RING B	SILICONE RUBBER	RED	1
04	O RING A	SILICONE RUBBER	RED	1
03	CENTER PIN	P.BRONZE	GOLD	1
02	INSULATOR A	TEFLON	NONE	1
01	CHASSIS	BRASS	NICKEL	1
NO	DESCRIPTION	MATERIAL	FINISH	Q'TY

TITLE
SMA(F) to N(F) bh. front mount. w/Oring adaptor, straight type, 5psi

DWG NO.
C0A003F0228-06T

CUST.
P/N: N/A
DWG NO: N/A

SHEET 1 of 1 Unit: mm



GENERAL TOLERANCES		DRAWN BY: Kelly 2023/11/21	
.X	±0.2	CHK'D BY: Chilli	2023/11/21
.XX	±0.2		
.XXX	±0.2		
ANGLES	N/A		
		REV.	1.00
		DA2311210015	