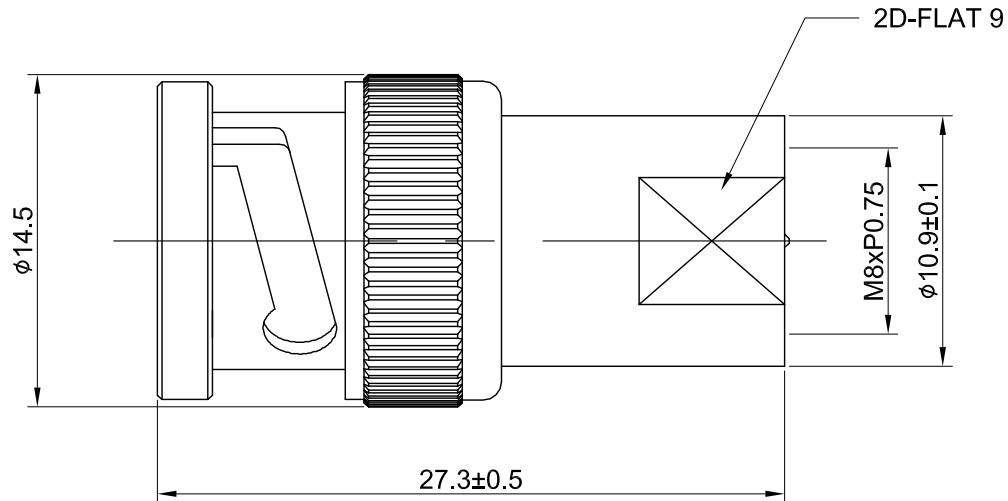


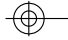
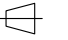
| REV | DESCRIPTION | DATE |
|------|------------------|------------|
| 1.00 | INITIAL DESIGN | 2012/09/24 |
| 1.10 | CHG 27.3 w. 26.9 | 2023/04/18 |
| 1.20 | ADD SPEC | 2024/03/18 |



MECHANICAL DATA
 DURABILITY : 100 CYCLES
 TEMPERATURE RANGE : -20°C ~ + 80°C

ELECTRICAL DATA
 FREQUENCY RANGE: DC~2GHz
 IMPEDANCE : 50Ω
 VSWR : 1.2 MAX.
 WORKING VOLTAGE : AC 500V
 WITHSTANDING VOLTAGE : AC 1000V
 INSULATION RESISTANCE : 5000 MΩ MIN

| | | | | |
|----|-------------|----------|--------|------|
| 09 | GASKET | PVC | RED | 1 |
| 08 | WASHER | STEEL | NICKEL | 1 |
| 07 | SPRING | SK5 | NICKEL | 1 |
| 06 | WASHER | STEEL | NICKEL | 1 |
| 05 | PIN | BRASS | GOLD | 1 |
| 04 | INSULATOR B | POM | NONE | 1 |
| 03 | INSULATOR A | POM | NONE | 1 |
| 02 | SHELL | BRASS | NICKEL | 1 |
| 01 | BODY | BRASS | NICKEL | 1 |
| NO | DESCRIPTION | MATERIAL | FINISH | Q'TY |

| | | | | |
|---|----------|--|--------------|---|
| TITLE | | DRAWN BY: Kelly | | 2024/03/18 |
| BNC(M) to FME(M)st.,adaptor, Delrin/POM | | CHK'D BY: Kana | | 2024/03/18 |
| DWG NO. C0A003F1529-01 | | GENERAL TOLERANCES | |   |
| CUST. P/N: N/A DWG NO: N/A | | .X ±0.2 .XX ±0.2 .XXX ±0.2 ANGLES N/A | REV. 1.20 | |
| SHEET 1 of 1 | Unit: mm | | | |

