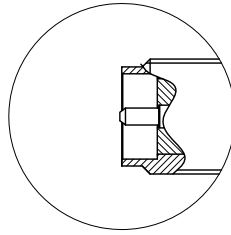
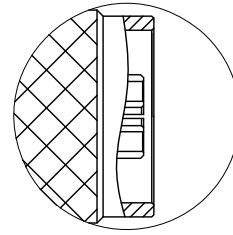


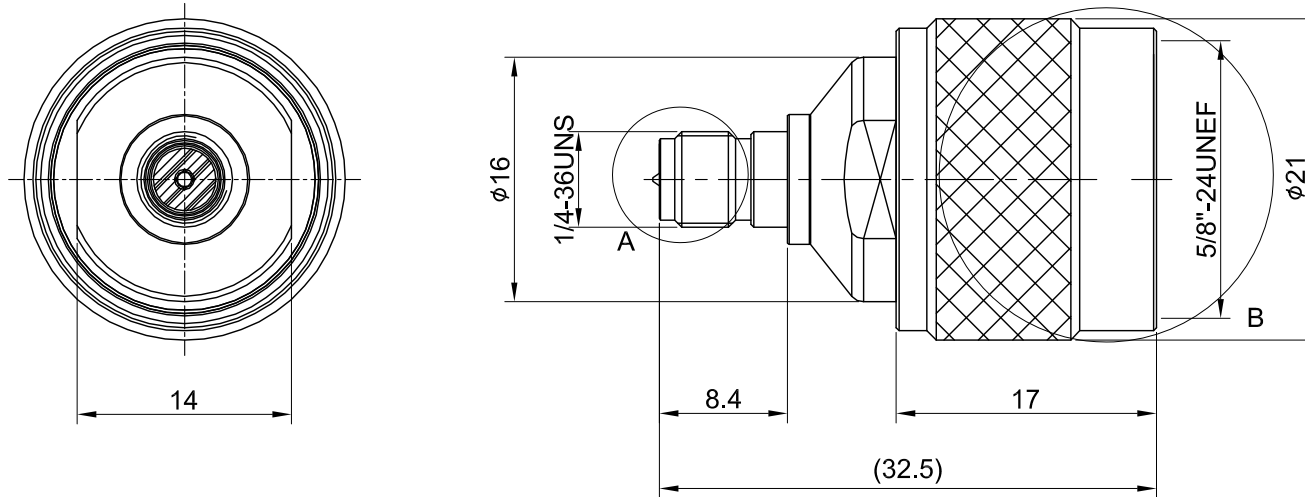
| REV  | DESCRIPTION       | DATE       |
|------|-------------------|------------|
| 1.00 | INITIAL DESIGN    | 2016/09/23 |
| 1.10 | NEW DRAWING FRAME | 2023/10/13 |



DETAIL A



DETAIL B



MECHANICAL DATA  
 DURABILITY : 100 CYCLES  
 TEMPERATURE RANGE : -65°C ~ + 165°C

ELECTRICAL DATA  
 FREQUENCY RANGE: DC~6GHz  
 IMPEDANCE : 50Ω  
 VSWR : 1.5 MAX.  
 WORKING VOLTAGE : AC 500V  
 WITHSTANDING VOLTAGE : AC 1000V  
 INSULATION RESISTANCE : 5000 MΩ MIN

|    |                      |                 |        |      |
|----|----------------------|-----------------|--------|------|
| 09 | CENTER PIN           | P.BRONZE        | GOLD   | 1    |
| 08 | INSULATOR B          | TEFLON          | NONE   | 1    |
| 07 | SMA BODY             | BRASS           | NICKEL | 1    |
| 06 | BODY                 | BRASS           | NICKEL | 1    |
| 05 | INSULATOR A          | TEFLON          | NONE   | 1    |
| 04 | INNER RETAINING RING | BRASS           | NONE   | 1    |
| 03 | N BODY               | BRASS           | NICKEL | 1    |
| 02 | GASKET               | SILICONE RUBBER | RED    | 1    |
| 01 | SHELL                | BRASS           | NICKEL | 1    |
| NO | DESCRIPTION          | MATERIAL        | FINISH | Q'TY |

|                    |  |                                 |  |
|--------------------|--|---------------------------------|--|
| TITLE              |  | RPSMA(F) to RP N(M) st. adaptor |  |
| DWG NO.            |  | C0A003F2069-01                  |  |
| CUST. P/N:         |  | N/A                             |  |
| DWG NO:            |  | N/A                             |  |
| SHEET 1 of 1       |  | Unit: mm                        |  |
| GENERAL TOLERANCES |  | DRAWN BY: Kelly 2023/10/13      |  |
| .X ±0.2            |  | CHK'D BY: David 2023/10/13      |  |
| .XX ±0.2           |  | REV.                            |  |
| .XXX ±0.2          |  | DA2310130006                    |  |
| ANGLES N/A         |  | 1.10                            |  |

