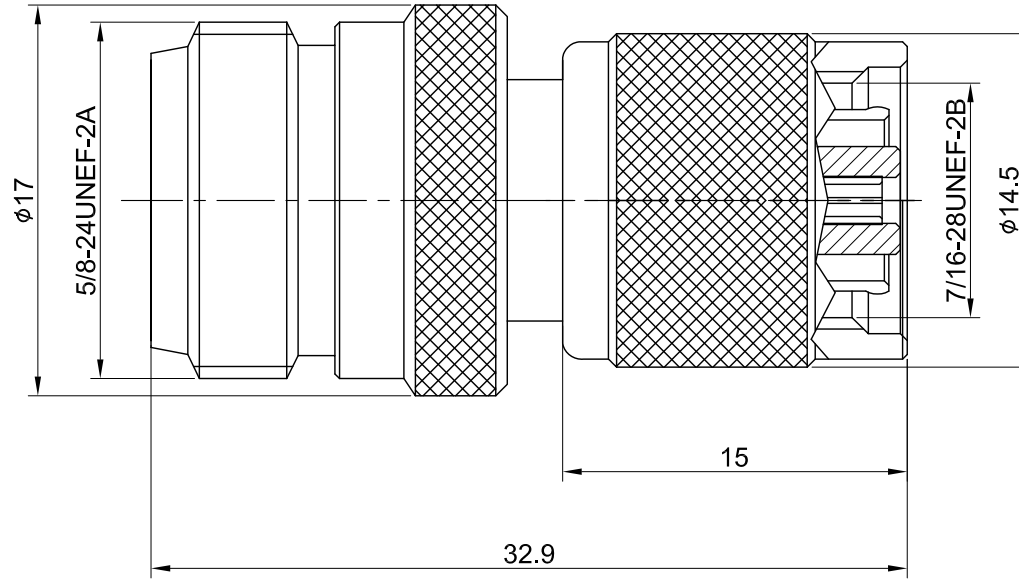


REV	DESCRIPTION	DATE
1.11	CORRECT GENERAL TOLERANCES	2021/01/06
1.20	ADD GASKET COLOR	2024/03/06



MECHANICAL DATA  
 DURABILITY : 100 CYCLES  
 TEMPERATURE RANGE : -65°C ~ + 165°C

ELECTRICAL DATA  
 FREQUENCY RANGE: DC~3GHz  
 IMPEDANCE : 50Ω  
 VSWR : 1.2 MAX.  
 WORKING VOLTAGE : AC 500V  
 WITHSTANDING VOLTAGE : AC 1500V  
 INSULATION RESISTANCE : 5000 MΩ MIN

09	GASKET	RUBBER	RED	1
08	RETAINING HOLDER	BRASS	NICKEL	1
07	INSULATOR B	TEFLON	NONE	1
06	CENTER PIN	P.BRONZE	GOLD	1
05	WASHER	BRASS	NICKEL	1
04	INNER RETAINING RING	BRASS	NICKEL	1
03	BODY	BRASS	NICKEL	1
02	INSULATOR A	TEFLON	NONE	1
01	SHELL	BRASS	NICKEL	1
NO	DESCRIPTION	MATERIAL	FINISH	Q'TY

TITLE		RP TNC(M) st. to N(F) st.											
DWG NO.		C0A003F2528-01											
CUST. P/N: N/A		DRAWN BY: Kelly 2024/03/06											
DWG NO: N/A		CHK'D BY: Dora 2024/03/06											
SHEET 1 of 1													
Unit: mm		<table border="1"> <thead> <tr> <th>GENERAL TOLERANCES</th> <th>ANGLES</th> </tr> </thead> <tbody> <tr> <td>.X ±0.2</td> <td></td> </tr> <tr> <td>.XX ±0.2</td> <td></td> </tr> <tr> <td>.XXX ±0.2</td> <td></td> </tr> <tr> <td>ANGLES N/A</td> <td></td> </tr> </tbody> </table>		GENERAL TOLERANCES	ANGLES	.X ±0.2		.XX ±0.2		.XXX ±0.2		ANGLES N/A	
GENERAL TOLERANCES	ANGLES												
.X ±0.2													
.XX ±0.2													
.XXX ±0.2													
ANGLES N/A													
		DA2401100015											
		REV. 1.20											