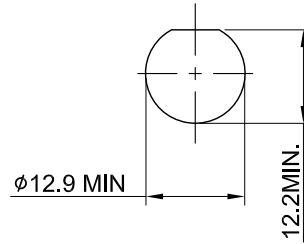
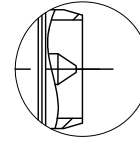


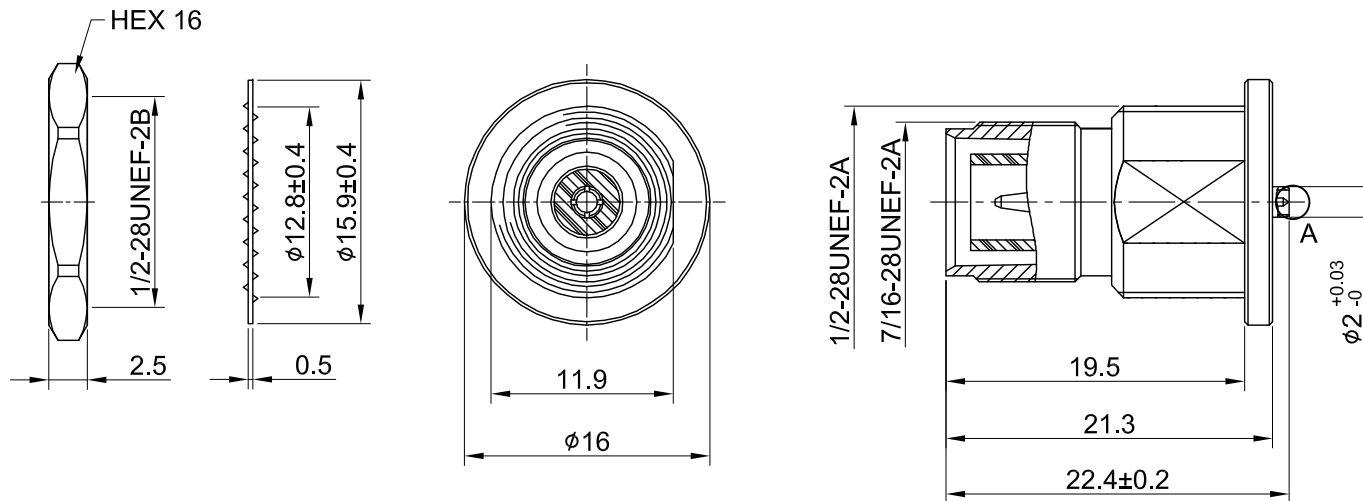
REV	DESCRIPTION	DATE
1.01	CHG IPEX DIA. ▲2.00 <sup>+0.03</sup> <sub>-0.00</sub> W. 1.94	2012/11/26
1.10	CHG WASHER BRASS W. S50C	2024/04/16



RECOMMENDED MOUNTING HOLE



DETAIL A



MECHANICAL DATA  
TEMPERATURE RANGE : -65°C ~ + 165°C

ELECTRICAL DATA  
FREQUENCY RANGE: DC~3GHz  
IMPEDANCE : 50Ω  
VSWR : DC~2.0 GHz : 1.2 MAX  
2.01~3.0 GHz : 1.3 MAX.  
WORKING VOLTAGE : AC 60V  
WITHSTANDING VOLTAGE : AC 200V  
INSULATION RESISTANCE : 500 MΩ MIN

07	NUT	BRASS	NICKEL	1
06	WASHER	BRASS	NICKEL	1
05	IPEX BODY	BRASS	NICKEL	1
04	INSULATOR B	TEFLON	NONE	1
03	CENTER PIN	BRASS	GOLD	1
02	INSULATOR A	TEFLON	NONE	1
01	TNC BODY	BRASS	NICKEL	1
NO	DESCRIPTION	MATERIAL	FINISH	Q'TY

TITLE		DRAWN BY: Kelly		2024/04/16
RTNC female bh. to IPEX female adaptor		CHK'D BY: Dora		2024/04/16
DWG NO. C0A003F2640-01		GENERAL TOLERANCES		
CUST. P/N: N/A DWG NO: N/A		.X ±0.2 .XX ±0.2 .XXX ±0.2 ANGLES N/A		
SHEET 1 of 1	Unit: mm	DA2404160001		REV. 1.10

