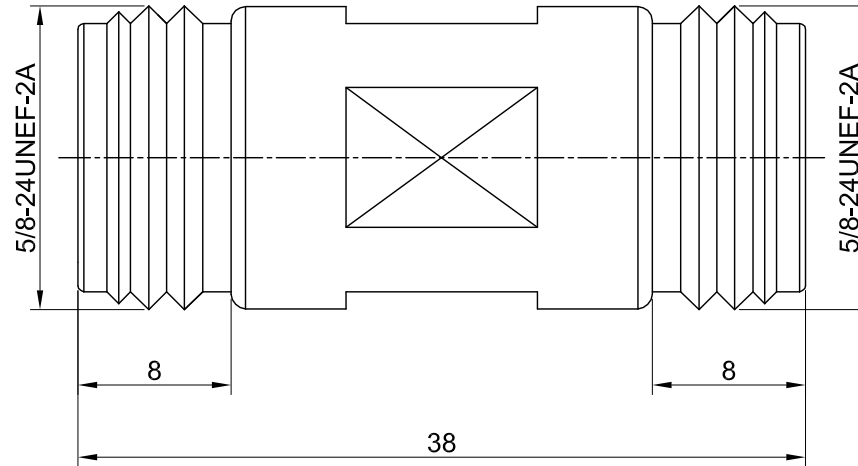



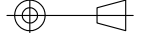
REV	DESCRIPTION	DATE
1.00	INITIAL DESIGN	2019/01/21
1.10	NEW DRAWING FRAME	2024/03/25



MECHANICAL DATA
 DURABILITY : 500 CYCLES
 TEMPERATURE RANGE : -65°C ~ + 165°C

ELECTRICAL DATA
 FREQUENCY RANGE: DC~18GHz
 IMPEDANCE : 50Ω
 VSWR : 1.2 MAX.
 WORKING VOLTAGE : AC 1500V
 WITHSTANDING VOLTAGE : AC 2500V
 INSULATION RESISTANCE : 5000 MΩ MIN

04	BODY	BRASS	NICKEL	1
03	CENTER PIN	Be.Cu	GOLD	1
02	INSULATOR	TEFLON	NONE	1
01	RTAINING HOLDER	BRASS	NICKEL	1
NO	DESCRIPTION	MATERIAL	FINISH	Q'TY

TITLE	
N(F) to N(F) st. adaptor, 18GHz	
DWG NO. C0A003F2828-04	
CUST. P/N: N/A DWG NO: N/A	GENERAL TOLERANCES .X ±0.2 .XX ±0.2 .XXX ±0.2 ANGLES N/A
SHEET 1 of 1 Unit: mm	DRAWN BY: Kelly 2024/03/25 CHK'D BY: Dora 2024/03/25  REV. 1.10 DA2403040022