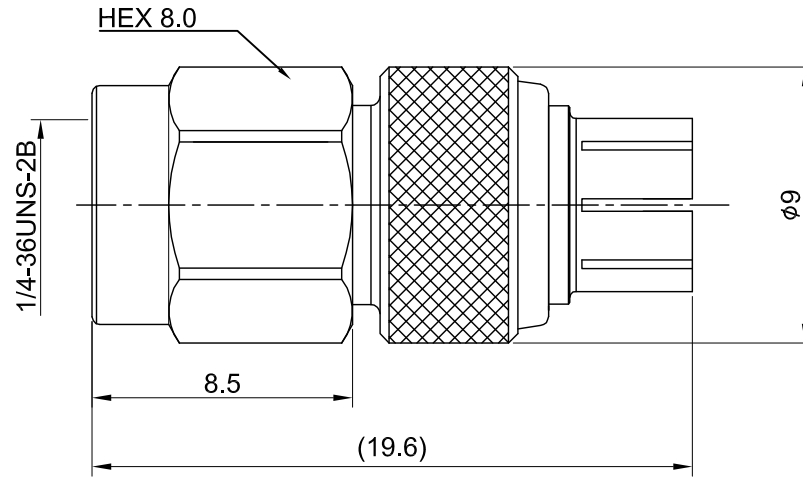


REV	DESCRIPTION	DATE
1.01	CORRECT FULL MATERIAL NAME IS SILICONE RUBBER	2020/12/16
1.10	NEW DRAWING FRAME	2024/03/28
1.11	UPDATE DURABILITY	2024/11/11



MECHANICAL DATA
 DURABILITY : 500 CYCLES (SMA MALE)
 3000 CYCLES (SMA FEMALE)
 TEMPERATURE RANGE : -65°C ~ + 165°C

ELECTRICAL DATA
 FREQUENCY RANGE: DC~18GHz
 IMPEDANCE : 50Ω
 VSWR : 1.3 MAX.
 WORKING VOLTAGE : AC 500V
 WITHSTANDING VOLTAGE : AC 1000V
 INSULATION RESISTANCE : 5000 MΩ MIN

08	BODY C	Be.Cu	GOLD	1	TITLE SMA(M) to SMA(F) quick mating type adaptor, 18GHz
07	BODY B	BRASS	GOLD	1	
06	BODYA	BRASS	GOLD	1	
05	INNER RETAINING RING	STAINLESS STEEL	NONE	1	DWG NO. C0A003F0102-05
04	GASKET	SILICONE RUBBER	RED	1	CUST. P/N: N/A DWG NO: N/A
03	CENTER PIN	Be.Cu	GOLD	1	
02	INSULATOR	TEFLON	NONE	2	
01	SHELL	BRASS	GOLD	1	SHEET 1 of 1 Unit: mm
NO	DESCRIPTION	MATERIAL	FINISH	Q'TY	



GENERAL TOLERANCES		DRAWN BY: Kelly 2024/11/11	
.X	±0.2		REV. 1.11
.XX	±0.2		
.XXX	±0.2		
ANGLES	N/A	DA2411100002	1.11