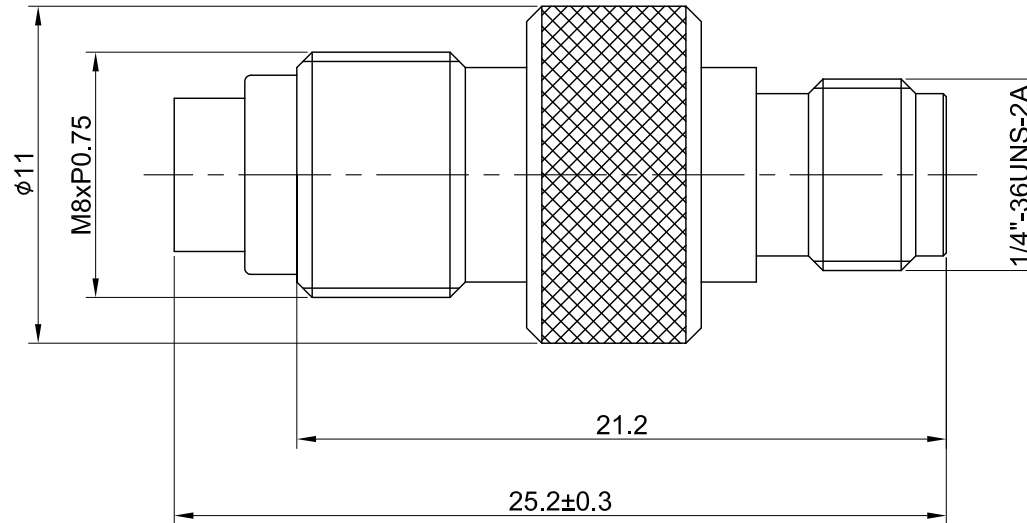


REV	DESCRIPTION	DATE
2.10	NEW DRAWING FRAME	2023/08/16
2.20	CORRECT INSULATION RESISTANCE	2023/12/05
2.21	UPDATE DURABILITY	2024/11/11



MECHANICAL DATA  
 DURABILITY : 10 CYCLES  
 TEMPERATURE RANGE : -40°C ~ + 85°C

ELECTRICAL DATA  
 FREQUENCY RANGE: DC~2GHz  
 IMPEDANCE : 50Ω  
 VSWR : DC~1GHz : 1.3 MAX.  
 1.01~2GHz : 1.8 MAX.  
 WORKING VOLTAGE : AC 500V  
 WITHSTANDING VOLTAGE : AC 1000V  
 INSULATION RESISTANCE : 5000 MΩ MIN

04	INSULATOR B	TEFLON	NONE	1
03	CENTER PIN	BRASS	GOLD	1
02	INSULATOR A	POM	NONE	1
01	BODY	BRASS	NICKEL	1
NO	DESCRIPTION	MATERIAL	FINISH	Q'TY

TITLE		DRAWN BY: Kelly		2024/11/11	
SMA(F) st. to FME(F) st. (Nickel)		CHK'D BY: Mindy		2024/11/11	
DWG NO. C0A003F0230-01		REVISION		REV. 2.21	
CUST. P/N: N/A		DWG NO: N/A		DA2411100003	
SHEET 1 of 1		Unit: mm		ANGLES N/A	

