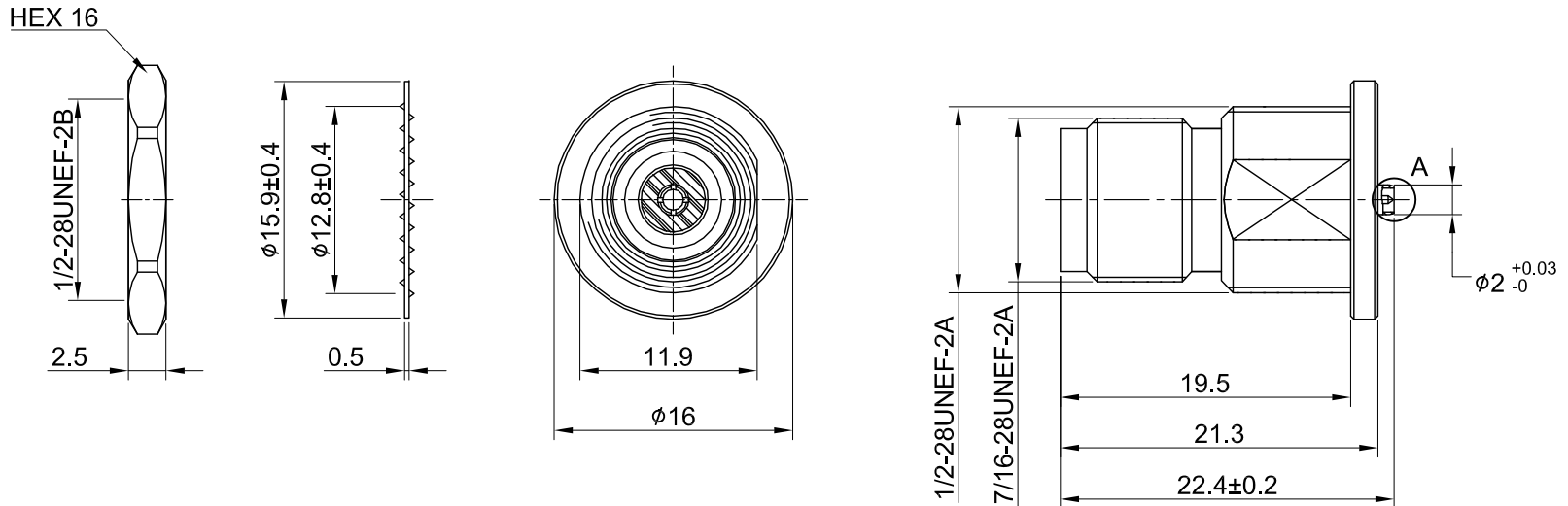
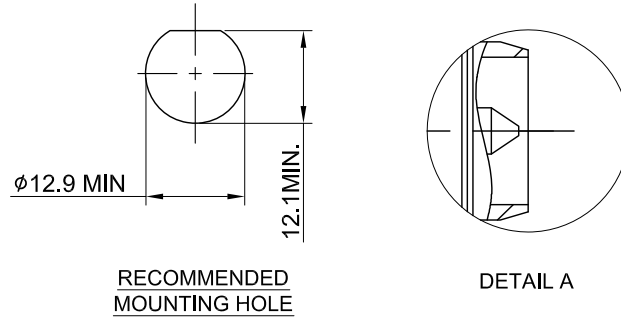



REV	DESCRIPTION	DATE
1.01	CHG IPEX DIA. ▲ 2.00 <sup>+0.03</sup> <sub>-0.00</sub> W. 1.94	2012/11/26
1.10	NEW DRAWING FRAME	2024/03/19
1.11	UPDATE DURABILITY	2024/11/11



MECHANICAL DATA  
 DURABILITY : 10 CYCLES  
 TEMPERATURE RANGE : -65°C ~ + 165°C

ELECTRICAL DATA  
 FREQUENCY RANGE: DC~3GHz  
 IMPEDANCE : 50Ω  
 VSWR : DC~2 GHz : 1.2 MAX.  
 2.01~3 GHz : 1.3 MAX.  
 WORKING VOLTAGE : AC 60V  
 WITHSTANDING VOLTAGE : AC 200V  
 INSULATION RESISTANCE : 500 MΩ MIN

07	NUT	BRASS	NICKEL	1
06	WASHER	STEEL	NICKEL	1
05	IPEX BODY	BRASS	NICKEL	1
04	INSULATOR B	TEFLON	NONE	1
03	CENTER PIN	BRASS	GOLD	1
02	INSULATOR A	TEFLON	NONE	1
01	TNC BODY	BRASS	NICKEL	1
NO	DESCRIPTION	MATERIAL	FINISH	Q'TY

TITLE		DRAWN BY: Kelly		2024/11/11	
TNC female bh. to IPEX female adaptor		CHK'D BY: Mindy		2024/11/11	
DWG NO. C0A003F1840-01		GENERAL TOLERANCES			
CUST. P/N: N/A		.X ±0.2		REV. 1.11	
DWG NO: N/A		.XX ±0.2		DA2411100004	
SHEET 1 of 1		ANGLES N/A		Unit: mm	

