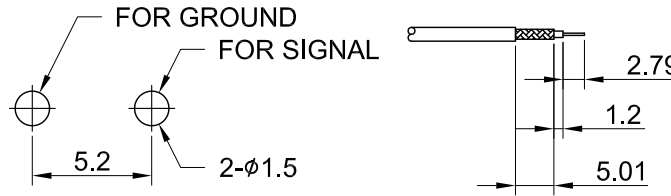
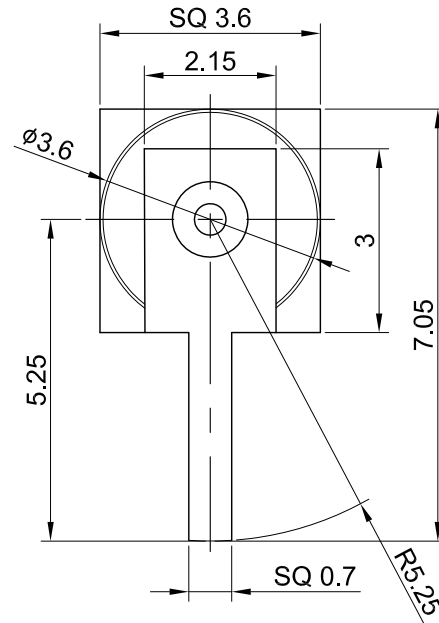
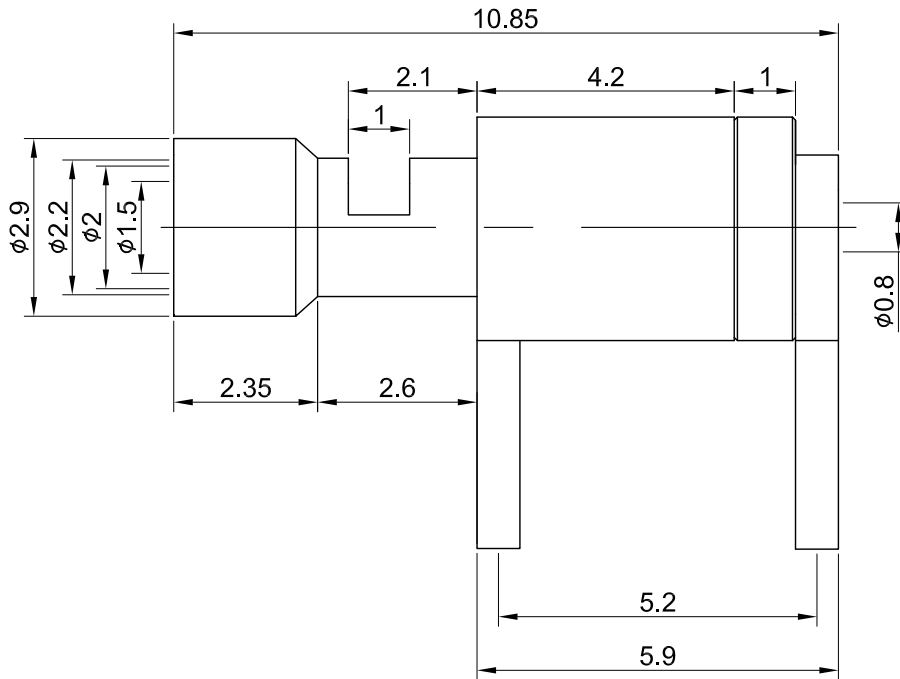


REV	DESCRIPTION	DATE
1.20	CHG $\phi 1.50 / \phi 0.80$ W. $\phi 1.40 / \phi 0.50$	2014/09/19
1.30	NEW DRAWING FRAME	2024/12/30




RECOMMENDED
PCB LAYOUT

RECOMMENDED
STRIP LENGTHS



TITLE		2 legs Terminator PCB for RG178	
DWG NO.		C99BN3Y178016	
CUST. P/N: N/A		DRAWN BY: Kelly 2024/12/30	
DWG NO: N/A		CHK'D BY: Mindy 2024/12/30	
SHEET 1 of 1		Unit: mm	
NO		REV.	
DESCRIPTION		DA2412280001 1.30	

NO	DESCRIPTION	MATERIAL	FINISH	Q'TY
03	INNER CONTACT	BRASS	GOLD	1
02	DIELECTRIC	TEFLON	NONE	1
01	BODY	BRASS	GOLD	1



GENERAL TOLERANCES

.X	±0.2
.XX	±0.2
.XXX	±0.2
ANGLES	N/A