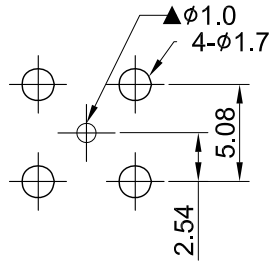
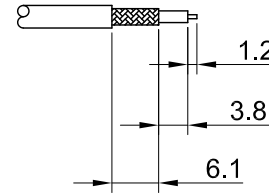


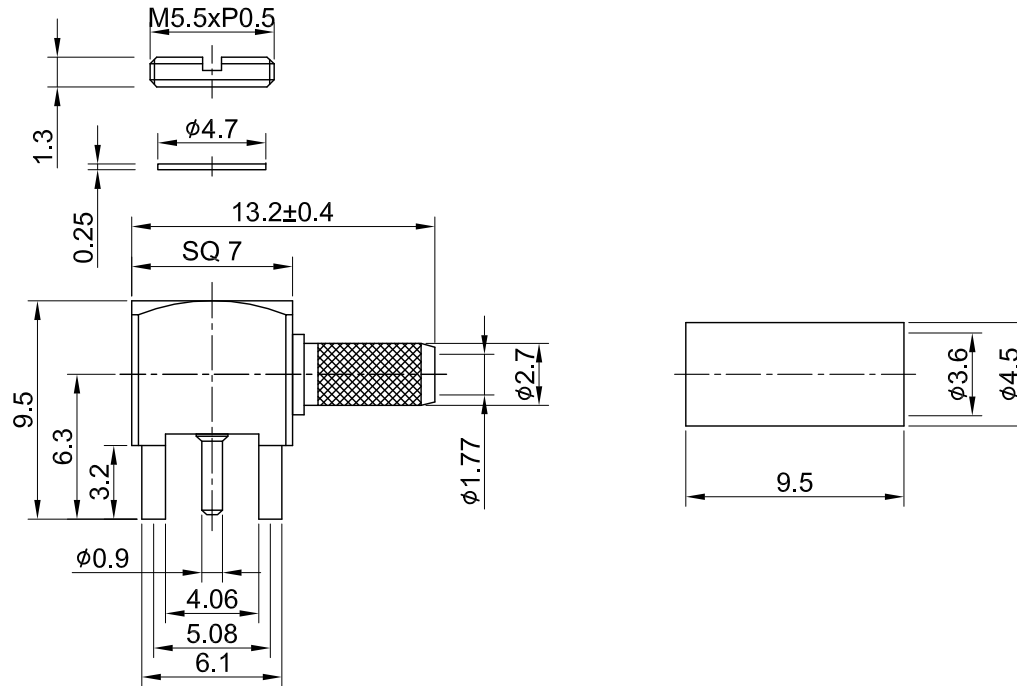
REV	DESCRIPTION	DATE
1.00	INITIAL DESIGN	2015/05/25
1.10	CHG $\phi 1.0$ W. $\phi 1.2$	2024/12/30



RECOMMENDED PCB HOLE



RECOMMENDED STRIP LENGTHS



08	FERRULE	BRASS	NICKEL	1	TITLE Terminator ra. crimp for RD316 PCB mount.	
07	CENTER PIN	BRASS	GOLD	1		
06	INSULATOR	TEFLON	NONE	1	DWG NO. C99WN3F316D07	
05	PRESS WASHER	BRASS	TIN	1		
04	BODY B	BRASS	TIN	1	CUST. P/N: N/A DWG NO: N/A	
03	BODY A	BRASS	TIN	1		
02	INSULATOR COVER	POM	NONE	1	GENERAL TOLERANCES .X ±0.2 .XX ±0.2 .XXX ±0.2 ANGLES N/A	
01	BOLT	BRASS	TIN	1		
NO	DESCRIPTION	MATERIAL	FINISH	Q'TY	SHEET 1 of 1	Unit: mm

MECHANICAL DATA
TEMPERATURE RANGE : -40°C ~ + 85°C

ELECTRICAL DATA
FREQUENCY RANGE: DC~6GHz
IMPEDANCE : 50Ω
WORKING VOLTAGE : AC 500V
WITHSTANDING VOLTAGE : AC 1000V
INSULATION RESISTANCE : 5000 MΩ MIN



DRAWN BY: Kelly	2024/12/30
CHK'D BY: Mindy	2024/12/30
DA2412300007	REV. 1.10